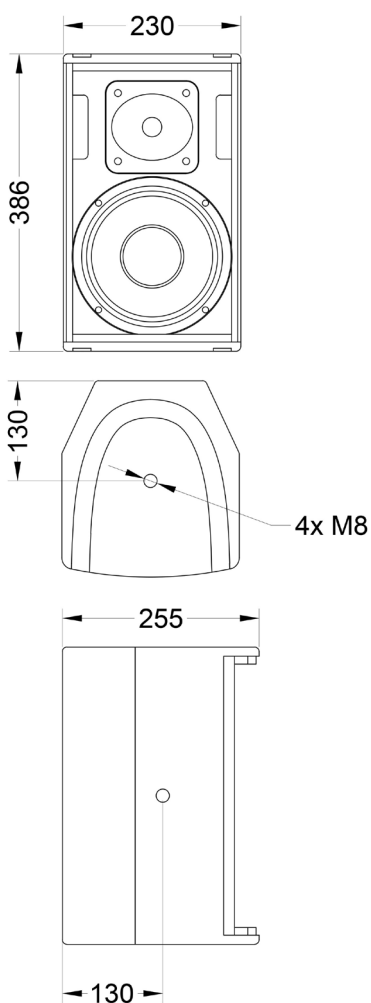




AIR-81

PASSIVE
INSTALLATION
SPEAKER



Main features:

- 250W nominal power
- 8" woofer with 2" voice coil
- 1" HF driver
- 123 dB Max SPL
- Numerous flying options

Frequency Response (-10dB)	60 - 18000 Hz
Max SPL (peak)	123 dB (calculated)
Sensitivity (1W/1m)	92,5 dB
LF Transducer	8", M0821
HF Transducer	1", N110
Nominal coverage HxV	60° x 40°
Impedance	8 Ohm / 16 Ohm
Nominal power	250 W
Program power	500 W
Peak power	1000 W
Connectors	2x Neutrik Speakon
Dimensions (WxHxD)	230x386x255 mm
Net weight	11,5 kg
Shipping weight	13 kg
Mounting	4x M10 flying points
Enclosure materials	Plywood; MDF; wear-resistant paint
Grill	Steel grill, polymere protective net
Color	Black

Acoustical & Electrical data

Connections, physical data
and exploitation