

Complete 12

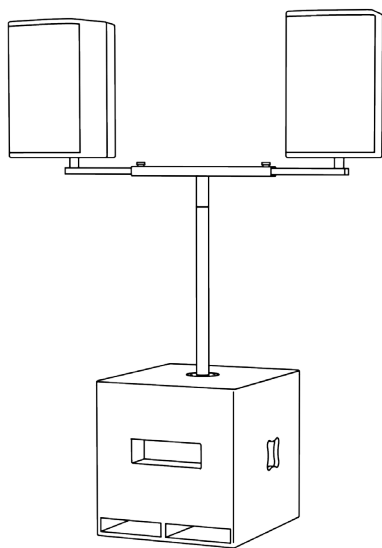
Complete 15

Specifications & rigging guide

CONTENTS

This contents & System application	2
Complete 12 specifications	3
Complete 15 specifications	4
Installation options & Accessories	5
Connections & integrated processor setups	6

SYSTEM APPLICATION



Complete series speaker sets offer complete sound reinforcement solution for portable and fixed installations alike.

Cost-effective powered systems include two 8"+1" or 10"+1" satellites and master 12" or 15" powered subwoofers, providing necessary amplification and EQ for satellites.

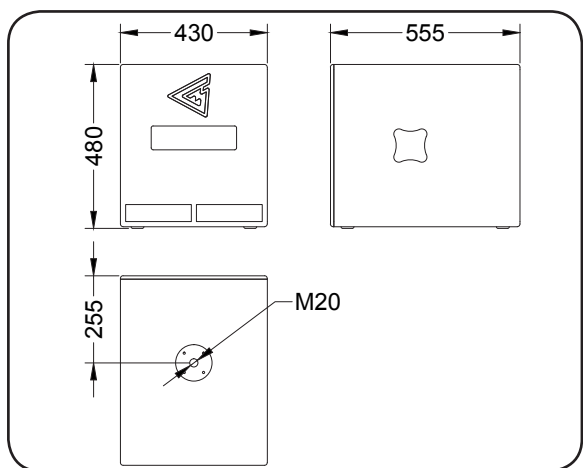
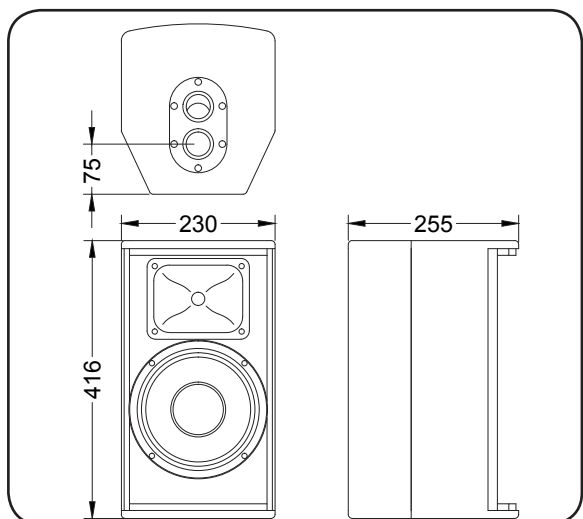
Regardless of its size, Complete sets are packing enough punch to compare them to bigger, conventional FOH systems.

Small size and light weight makes Complete sets perfect solution for mobile audio applications, and due to easy plug&play connections can be used by even non-professionals.

Complete 12 Portable speaker set



Complete 12 is small and powerful speaker set for small installations or mobile FOH. Full-range speakers are based on 8" cone driver and 1" HF driver on an exponential horn, and are backed with effective 12" subwoofer, housing amplification, crossover and EQ for the entire system.

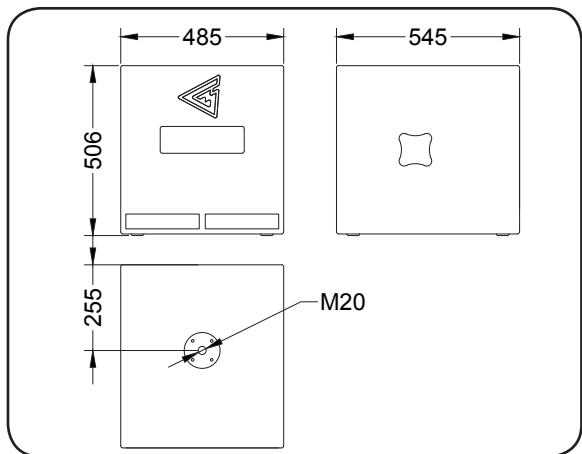
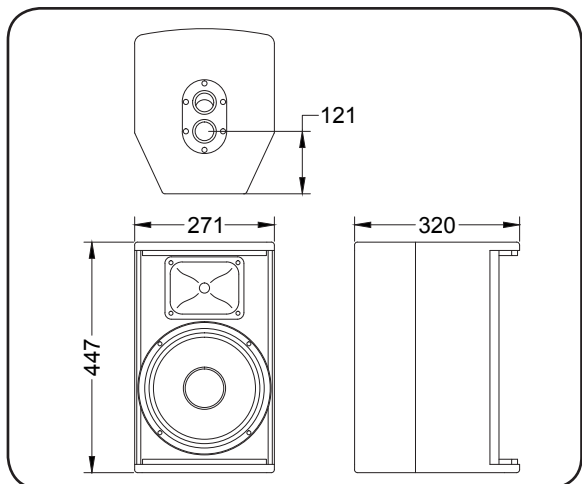


Type	Portable speaker set
Acoustical	
Frequency range (-10 dB)	45 - 18000 Hz
Max sound pressure level	130 dB
Satellite	
LF driver	8" M0821
HF driver	1" N110
Coverage	90° x 60°
Subwoofer	
LF driver	12" M1261
Amplifier	
Power	1400 W
Satellite	2x 350 W
Subwoofer	700 W
Amplifier type	D-class
Input sensitivity	-2.2 dBV
Cooling	Fan
Connections	2xXLR Male + 2xXLR Female, 2x Speakon
Processing options	
Protection	RMS, peak, thermal prot.
Controls	2 volume knobs, preset switch
Enclosure (satellite)	
Dimensions (WxHxD)	230x420x260 mm
Net weight	10.5 kg
Mounting	Pole mount adapter
Enclosure (subwoofer)	
Dimensions (WxHxD)	430x480x555 mm
Net weight	30 kg
Enclosure materials	15 mm birch plywood, textured paint
Grill	Steel painted grill, acoustically transparent cloth
Colour	Black
Mounting	Distance pole socket

Complete 15 Portable speaker set

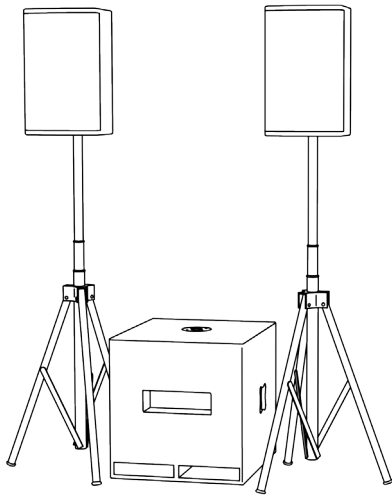


Complete 12's big brother, Complete 15 is packing even more power, still remaining mobile and affordable. Satellites house 10" cone and 1" HF drivers. 15" effective subwoofers have built-in amplification, crossover and EQ for the entire system.

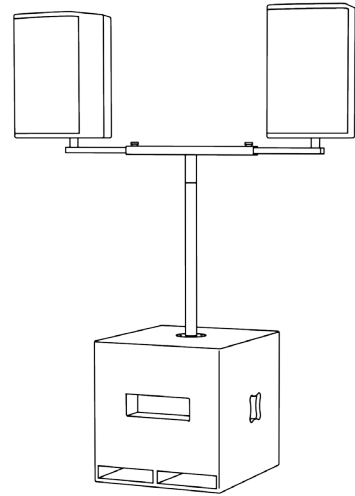


Type	Portable speaker set
Acoustical	
Frequency range (-10 dB)	40 - 18000 Hz
Max sound pressure level	132 dB
Satellite	
LF driver	10" M1020
HF driver	1" N110
Coverage	90° x 60°
Subwoofer	
LF driver	15" M1503
Amplifier	
Power	2100 W
Satellite	2x 350 W
Subwoofer	1400 W
Amplifier type	D-class
Input sensitivity	-2.2 dBV
Cooling	Fan
Connections	2x XLR Male + 2x XLR Female, 2x Speakon
Processing options	
Protection	RMS, peak, thermal prot.
Controls	2 volume knobs, preset switch
Enclosure (satellite)	
Dimensions (WxHxD)	255x466x290 mm
Net weight	12 kg
Mounting	Pole mount adapter
Enclosure (subwoofer)	
Dimensions (WxHxD)	440x485x550 mm
Net weight	37 kg
Enclosure materials	15 mm birch plywood, textured paint
Grill	Steel painted grill, acoustically transparent cloth
Colour	Black
Mounting	Distance pole socket

Installation options

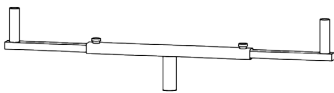


Installation with tripod stand

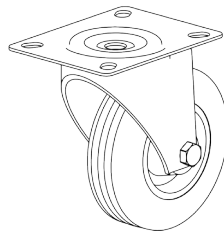


Installation with double distance pole stand

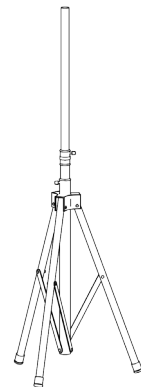
Accessories



Double distance pole stand



80 mm castor wheels
optionally available for subwoofers



Tri-pod speaker stand



Transportation bags

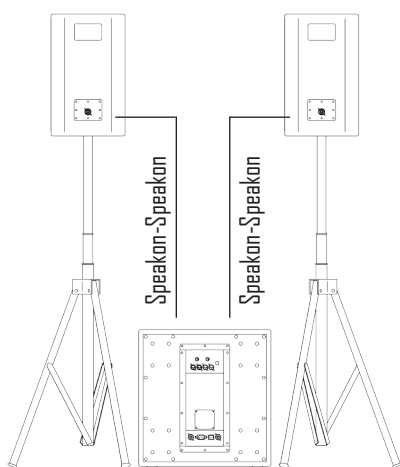
Connections

Complete 12 & Complete 15's amplifiers are built into subwoofers, with passive satellite connection.

Use XLR-XLR cables to connect amplifier's input to signal source (e.g., mixer).

Use IEC standard mains cable to power the amplifier.

Use 1+1- Speakon - Speakon cables to connect both satellites to the subwoofer.



Complete series
connection diagram

Preset switch



IN L IN R Link L Link R



To the left satellite Mains socket To the right satellite

Complete series integrated amplifier's connection and controls panel

Integrated processor setups

Complete series speakers come with integrated Class-D amplification and DSP sound processing for ease of installation and system setup.

Use the Preset switch to choose mode suitable for your application:

Preset 1 : STEREO Satellites are in stereo mode and subwoofer in summed mono mode.

Preset 2: MONO Satellites as well as subwoofers are receiving summed mono signal.

Preset 3: EXT SPEAKER For instances where third party speaker connection is required. Connect signal cable for subwoofer and satellites to LEFT input and signal cable for external speaker to RIGHT input. Connect external speaker to RIGHT output for it to receive unprocessed signal.