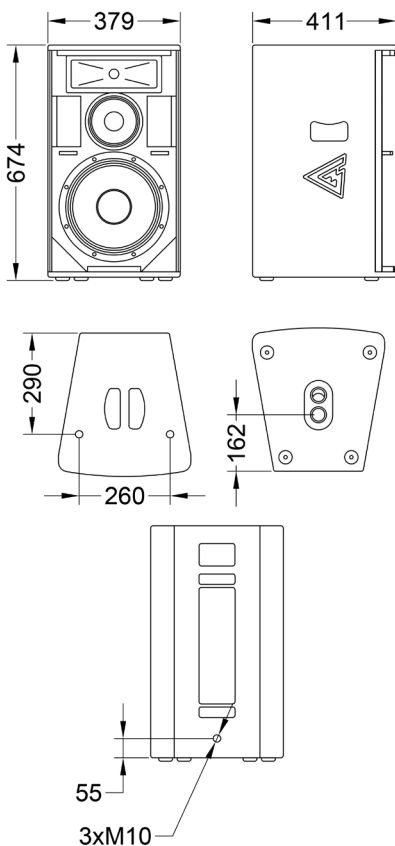


# K 32A

## 3-WAY POWERED SPEAKER



### Main features:

- 600W power
- 12" woofer with 2,5" voice coil
- 6" midrange with 1,5" voice coil
- 1" HF driver
- 130 dB Max SPL
- Pole mount adapter

Frequency Response (-10dB)	60 – 20000 Hz
Max SPL (peak)	130 dB (calculated)
LF Transducer	12", M1224
LF-MF Transducer	6", M0612
HF Transducer	1", N110
Nominal coverage HxV	90° x 25°
Power	600 W
Amplifier	Powersoft class D Bi-amp LF 350W + MF-HF 250W Convection cooling
Input sensitivity	+4 dBV
Settings	4 switchable presets

Connectors	XLR in + XLR out
Dimensions (WxHxD)	379x674x411 mm
Net weight	23,5 kg
Shipping weight	26 kg
Mounting	Pole mount adapter 3x M10 flying points
Enclosure materials	Plywood; wear-resistant paint
Grill	Steel grill, polymere protective net
Color	Black

Acoustical & Electrical data

Connections, physical data  
and exploitation