



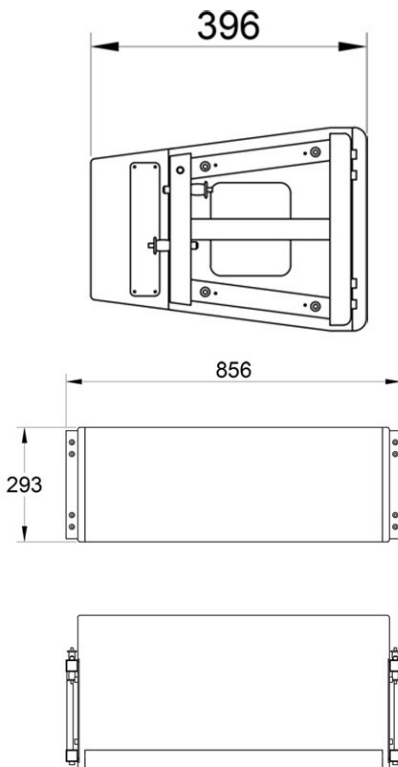
WAVE 10

PASSIVE LINE ARRAY MODULE



Main features:

- 900W nominal power
- 2x10" woofers with 3" voice coil
- 1,5" HF driver
- 134 dB Max SPL
- Integrated flying hardware



Frequency Response (-10dB)	60 - 18000 Hz
Max SPL (peak)	134 dB (calculated)
Sensitivity (1W/1m)	98,5 dB
LF Transducer	2x10", M1041
HF Transducer	1,5", M140
Nominal coverage HxV	110° x 15°
Impedance	16 Ohm LF, 16 Ohm LF-HF
Nominal power	900 W (450 W + 450 W)
Program power	1800 W (900 W + 900 W)
Peak power	3600 W (1800 W + 1800 W)
Connectors	2x Neutrik Speakon
Dimensions (WxHxD)	856x293x396 mm
Net weight	40 kg
Shipping weight	45 kg
Mounting	Integrated flying hardware -2,5° - 15° Sply angle
Enclosure materials	Plywood; wear-resistant paint
Grill	Steel grill, polymere protective net

Acoustical & Electrical data

Connections, physical data
and exploitation