



M1240

MID BASS TRANSDUCER FOR TWO-WAY SPEAKERS



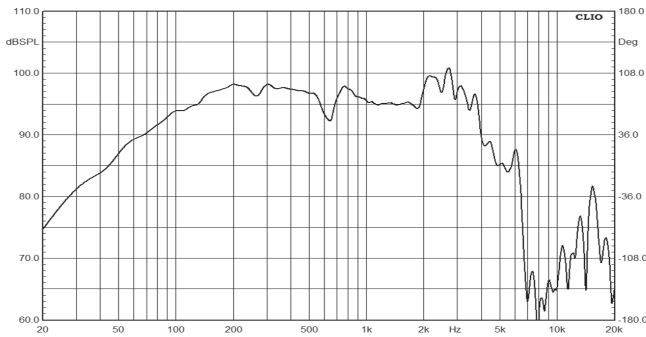
Main features:

- aluminum die-cast frame;
- removable self-centering ferrite magnet system with ventilated gap;
- inside-outside copper clad aluminum voice coil.
- double silicon spider.

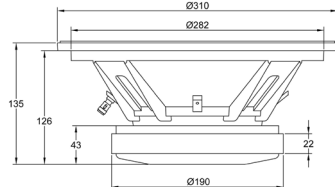
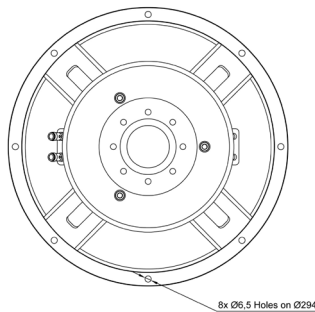
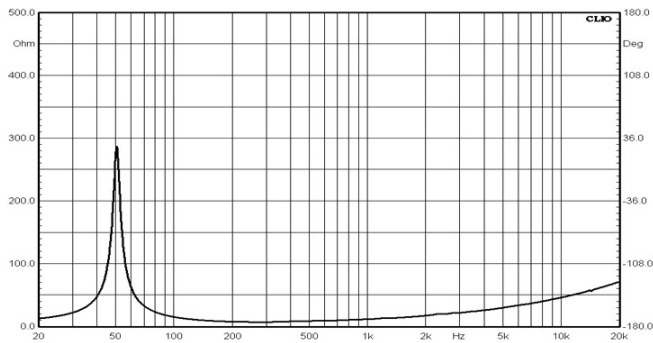
Main specifications:

- 12" nominal diameter;
- 800 W AES program power;
- 97,5 dB 1W/1m sensitivity;
- 3" CCAW voice coil;
- 7 kg weight.

Frequency response



Free air impedance



Nominal diameter, inches (mm)	12(300)
Nominal impedance, Ohm	4/8
Rated power (AES), W	400*
Frequency range, Hz	50-3000
Sensitivity (1W / 1m), dB	97
Minimum impedance, Ohm	6,9@250Hz
Bl product, Tm	20,8
Voice coil inductance, mH (1kHz)	1,0
Moving mass Mms, g	63,7

Diameter, inches (mm)	3(76)
Winding material	CCA W
Former material	glass fiber
Winding depth, mm	19
Magnetic gap depth, mm	10
Flux density, T	1,3

Fs, Hz	50,5
Vas, l	63,7
Qts	0,27
Qes	0,28
Qms	13,1
Re, Ohm	6,0
Sd, cm²	539
Xmax, mm	6***
n, %	2,8

Overall diameter, mm	312
Baffle cutout diameter, mm	282
Bolt hole diameter, mm	7
Bolt circle diameter, mm	294
Height, mm	140
Net weight, kg	7

Specifications

Voice coil and Magnetic system

Thiele-Small parameters **

Mounting information

* Rated power is determined according to AES2 - 1984 (r2003) standard.
 ** TS parameters are measured after a preconditioning power test.
 *** Xmax is calculated as: $(Hvc - Hg) / 2 + Hg / 4$ where Hvc is the voice coil winding depth and Hg is the gap depth.