



15N800

LOW DISTORTION LOW FREQUENCY TRANSDUCER FOR BASS REFLEX AND BAND PASS SYSTEM



Main features:

- aluminum die-cast frame with improved voice coil ventilation ;
- removable self-centering neodymium magnet system;
- inside-outside copper clad aluminum voice coil.
 - ventilated voice coil gap;
 - double aluminum demodulation ring.

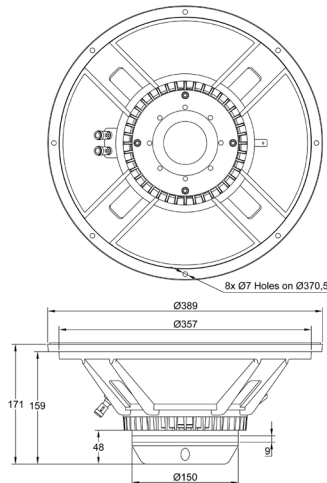
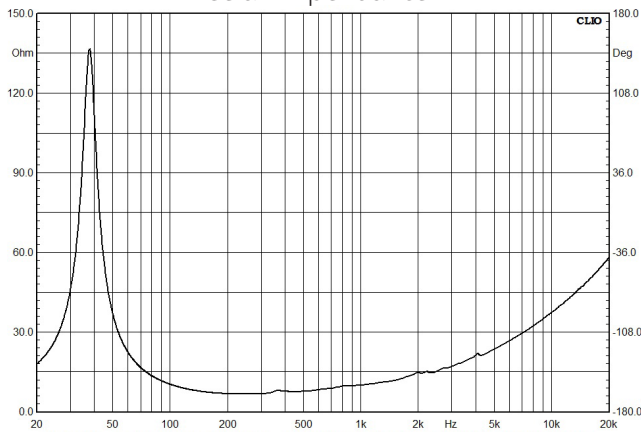
Main specifications:

- 15" nominal diameter;
- 1600 W AES program power;
- 99 dB 1W/1m sensitivity;
- 4" CCAW voice coil;
- 5,5 kg weight.

Frequency response



Free air impedance



Nominal diameter, inches (mm)	15(380)
Nominal impedance, Ohm	8/4
Rated power (AES), W	800*
Frequency range, Hz	45-2500
Sensitivity (1W / 1m), dB	99
Minimum impedance, Ohm	6,7@250Hz
Bl product, Tm	24
Voice coil inductance, mH (1kHz)	0,66
Moving mass Mms, g	120

Diameter, inches (mm)	4(100)
Winding material	CCA W
Former material	glass fiber
Winding depth, mm	22
Magnetic gap depth, mm	9
Flux density, T	1,28

Fs, Hz	38,6
Vas, l	160
Qts	0,27
Qes	0,28
Qms	7,9
Re, Ohm	5,4
Sd, cm ²	900
Xmax, mm	8,75***
n, %	3,2

Overall diameter, mm	389
Baffle cutout diameter, mm	356
Bolt hole diameter, mm	7
Bolt circle diameter, mm	370,5
Height, mm	172
Net weight, kg	5,5

Specifications

Voice coil and Magnetic system

Thiele-Small parameters**

Mounting information

* Rated power is determined according to AES2 - 1984 (r2003) standard.
 ** TS parameters are measured after a preconditioning power test.
 *** Xmax is calculated as: $(H_{vc} - H_g) / 2 + H_g / 4$ where H_{vc} is the voice coil winding depth and H_g is the gap depth.