



M1801

HIGH POWER EXTENDED LOW FREQUENCY TRANSDUCER FOR BASS REFLEX AND HORN LOADED SYSTEM



Main features:

- aluminum die-cast frame with improved voice coil ventilation;
- removable self-centering ferrite magnet system;
 - inside-outside copper voice coil;
 - ventilated voice coil gap;
 - double silicon spider;
 - glass fiber reinforced cone.

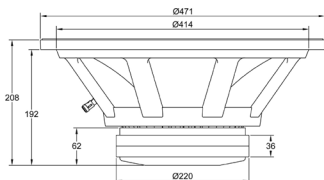
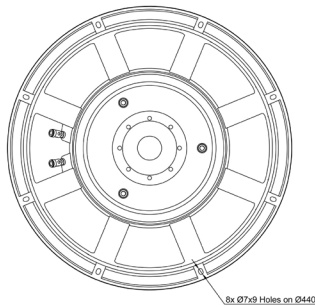
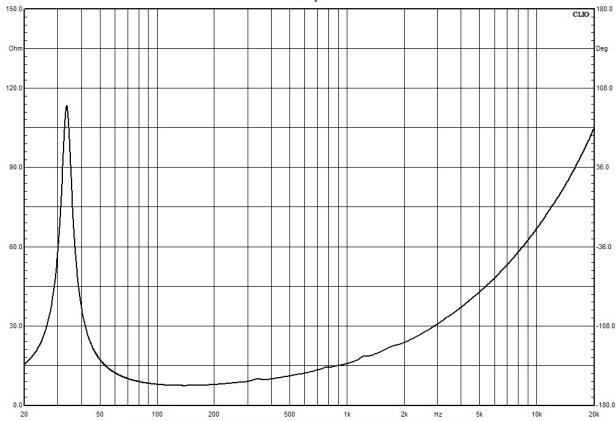
Main specifications:

- 18" nominal diameter;
- 2000 W AES program power;
- 97 dB 1W/1m sensitivity;
- 4" copper voice coil;
- 14,4 kg weight.

Frequency response



Free air impedance



Nominal diameter, inches (mm)	18(460)
Nominal impedance, Ohm	4/8
Rated power (AES), W	1000*
Frequency range, Hz	35-500
Sensitivity (1W / 1m), dB	97
Minimum impedance, Ohm	7@140Hz
Bl product, Tm	29,5
Voice coil inductance, mH (1kHz)	2,5
Moving mass Mms, g	222

Diameter, inches (mm)	4(99)
Winding material	copper
Former material	glass fiber
Winding depth, mm	23
Magnetic gap depth, mm	14
Flux density, T	1,05

Fs, Hz	32,3
Vas, l	222
Qts	0,3
Qes	0,31
Qms	9,8
Re, Ohm	6
Sd, cm²	1195
Xmax, mm	8***
n, %	2,35

Overall diameter, mm	471
Baffle cutout diameter, mm	414
Bolt hole diameter, mm	7/9
Bolt circle diameter, mm	440
Height, mm	212
Net weight, kg	14,4

Specifications

Voice coil and Magnetic system

Thiele-Small parameters **

Mounting information

* Rated power is determined according to AES2 - 1984 (r2003) standard.
 ** TS parameters are measured after a preconditioning power test.
 *** Xmax is calculated as: $(Hvc - Hg) / 2 + Hg / 4$ where Hvc is the voice coil winding depth and Hg is the gap depth.