



CX12-1



COAXIAL TRANSDUCER FOR COMPACT ENCLOSURES AND STAGE MONITORS

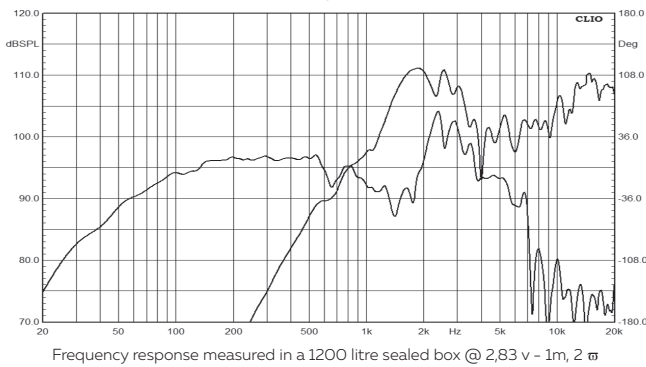
Main specifications:

- combination of a 12" bass loudspeaker and a 1.75" diaphragm compression driver;
- aluminum die-cast frame;
- removable self-centering ferrite magnet system;
- inside-outside copper clad aluminum voice coil (LF unit);
- titanium diaphragm compression driver.

Main features:

- 12" nominal diameter;
- 600W AES program power (LF unit);
- 100W AES program power (HF unit);
- 96dB 1W/1m sensitivity (LF unit);
- 104dB 1W/1m sensitivity (LF unit);
- 3" CCAW (LF unit);
- 1.75" aluminum voice coil (HF unit);
- 90 degrees conical dispersion;
- 8.4 kg weight.

Frequency response



Nominal diameter, inches (mm)	12(300)
Nominal impedance, Ohm	8
Rated power (AES), W	300*
Frequency range, Hz	60-18000
Recommended crossover Hz	1800
Sensitivity (1W / 1m), dB	96
Minimum impedance, Ohm	6,8@260Hz
Bl product, Tm	16,6
Voice coil inductance, mH (1kHz)	0,81
Moving mass Mms, g	68

Specifications and LF unit

Diameter, inches (mm)	3(76)
Winding material	CCA W
Former material	glass fiber
Winding depth, mm	18
Magnetic gap depth, mm	8
Flux density, T	1,08

Voice coil and Magnetic system

Fs, Hz	50,5
Vas, l	56
Qts	0,39
Qes	0,41
Qms	9,9
Re, Ohm	5,2
Sd, cm ²	530
Xmax, mm	5,5***
n, %	1,7

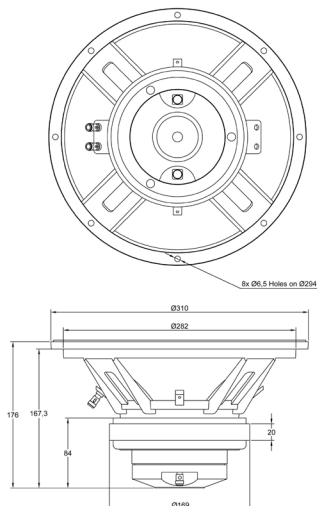
Thiele-Small parameters**

Nominal impedance, Ohm	8
Rated power (AES), W	50
Sensitivity (1W / 1m), dB	104
Diameter, inches (mm)	1,75(44)
Winding material	aluminum
Diaphragm material	titanium
Flux density, T	1,74

HF unit and Voice Coil

Overall diameter, mm	312
Baffle cutout diameter, mm	282
Bolt hole diameter, mm	7
Bolt circle diameter, mm	294
Height, mm	178
Net weight, kg	8,4

Mounting information



* Rated power is determined according to AES2 - 1984 (r2003) standard.

** TS parameters are measured after a preconditioning power test.

*** Xmax is calculated as: $(Hvc - Hg) / 2 + Hg / 4$ where Hvc is the voice coil winding depth and Hg is the gap depth.