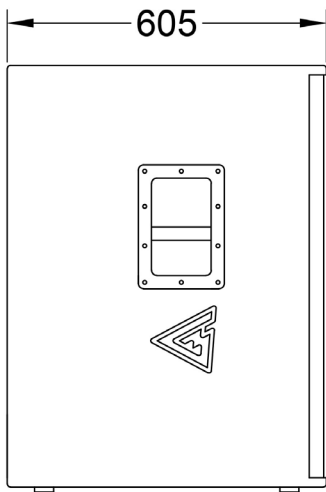
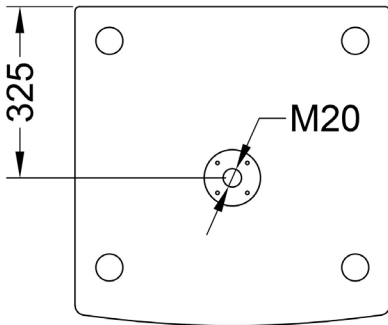
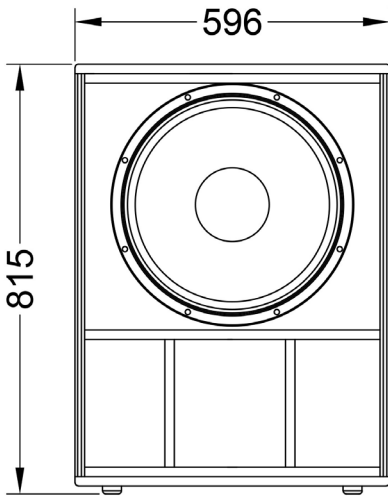




MD 802BA

POWERED SUBWOOFER



Main features:

- 1400W power
- 18" woofer with 4" voice coil
- 133 dB Max SPL
- Efficient vented box design
- M20 distance pole adapter

Frequency Response (-10dB)	35 - 150 Hz
Max SPL (peak)	133 dB (calculated)
LF Transducer	18", M1804
Power	1400 W
Amplifier	Class D, convection cooling
Input sensitivity	0 dBV
Settings	4 switchable presets

Connectors	XLR in + XLR out
Dimensions (WxHxD)	596x815x605 mm
Net weight	60 kg
Shipping weight	62 kg
Mounting	M20 distance pole adapter
Transportation	4x 80mm removable castor wheels
Enclosure materials	Plywood; wear-resistant paint
Grill	Steel grill, polymere protective net
Color	Black

Acoustical & Electrical data

Connections, physical data and exploitation