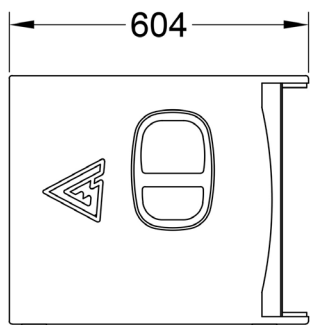
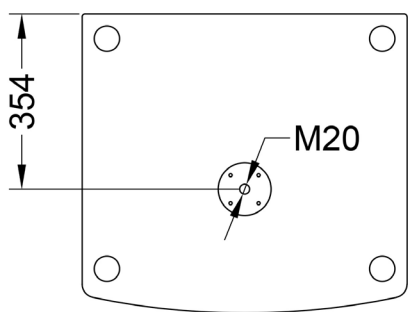
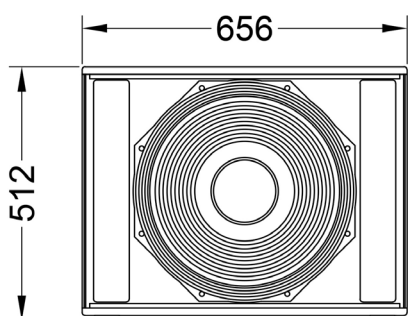




N S18

PASSIVE SUBWOOFER



Main features:

- 1200W nominal power
- 18" woofer with 4" voice coil
- 133 dB Max SPL
- Effective vented box design
- M20 distance pole adapter

Frequency Response (-10dB)	35 - 250 Hz
Max SPL (peak)	133 dB (calculated)
Sensitivity (1W/1m)	96 dB
LF Transducer	18"
Impedance	8 Ohm / 4 Ohm
Nominal power	1200 W
Program power	2400 W
Peak power	4800 W
Connectors	2x Neutrik Speakon
Dimensions (WxHxD)	656x512x604 mm
Net weight	40 kg
Shipping weight	43 kg
Enclosure materials	Plywood; wear-resistant paint
Grill	Steel grill, acoustically transparent foam

Acoustical & Electrical data

Connections, physical data and exploitation