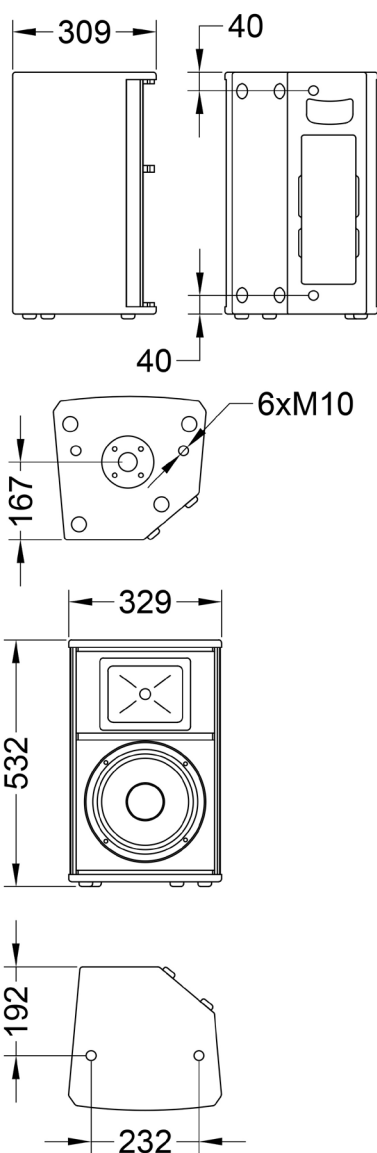




Z 100A

FULL-RANGE POWERED SPEAKER



Main features:

- 350W amplifier power
- 10" woofer with 2" voice coil
- 1" HF driver with 1,5" voice coil
- 125 dB Max SPL
- Stage monitoring ready enclosure

Frequency Response (-10dB)	65 - 18000 Hz
Max SPL (peak)	125 dB (calculated)
LF Transducer	10"
HF Transducer	1"
Nominal coverage HxV	60° x 40°
Power	350 W
Amplifier	Class D, convection cooling
Input sensitivity	0 dBV
Connectors	2x XLR
Dimensions (WxHxD)	329x532x309 mm
Net weight	19 kg
Shipping weight	22 kg
Mounting	10x M10 flying points Pole mount adapter
Enclosure materials	Plywood; MDF; wear-resistant paint
Grill	Steel grill, polymer protective net

Acoustical & Electrical data

Connections, physical data and exploitation