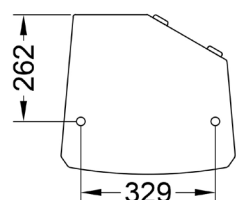
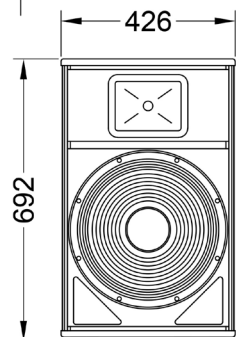
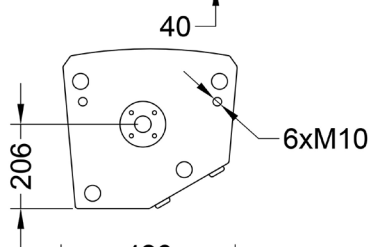
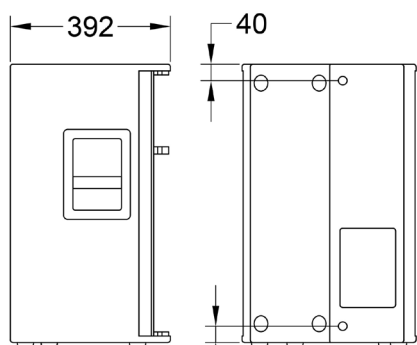




Z 150

FULL-RANGE PASSIVE SPEAKER



Main features:

- 250W nominal power
- 15" woofer with 2" voice coil
- 1" HF driver with 1,5" voice coil
- 128 dB Max SPL
- Stage monitoring ready enclosure

Frequency Response (-10dB)	50 - 18000 Hz
Max SPL (peak)	128 dB (calculated)
Sensitivity (1W/1m)	98 dB
LF Transducer	15"
HF Transducer	1"
Nominal coverage HxV	60° x 40°
Impedance	8 Ohm / 4 Ohm
Nominal power	250 W
Program power	500 W
Peak power	1000 W

Connectors	2x Neutrik Speakon
Dimensions (WxHxD)	426x692x392 mm
Net weight	25,5 kg
Shipping weight	28,5 kg
Mounting	10x M10 flying points Pole mount adapter
Enclosure materials	Plywood; MDF; wear-resistant paint
Grill	Steel grill, polymer protective net

Acoustical & Electrical data

Connections, physical data
and exploitation