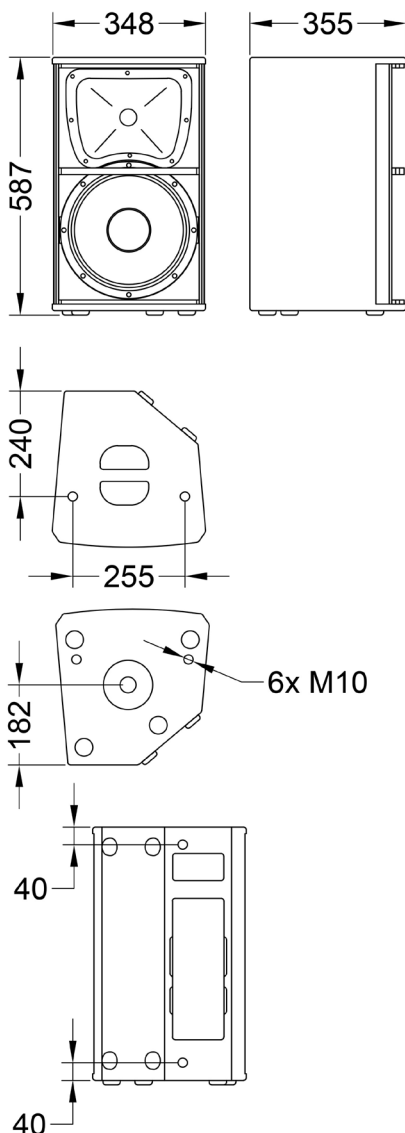




Z 220A

FULL-RANGE POWERED SPEAKER



Main features:

- 600W amplifier power
- 12" woofer with 2,5" voice coil
- 1" HF driver with 1,75" voice coil
- 128 dB Max SPL
- Pole mount adapter

Frequency Response (-10dB)	55 - 18000 Hz
Max SPL (peak)	128 dB (calculated)
LF Transducer	12"
HF Transducer	1"
Nominal coverage HxV	100° x 50°
Power	600 W
Amplifier	Class D, convection cooling
Input sensitivity	0 dBV
Connectors	2x XLR
Dimensions (WxHxD)	348x587x355 mm
Net weight	19,5 kg
Shipping weight	22,5 kg
Mounting	10x M10 flying points Pole mount adapter
Enclosure materials	Plywood; wear-resistant paint
Grill	Steel grill, polymer protective net

Acoustical & Electrical data

Connections, physical data
and exploitation