

Flybar S218

Suspended
mount

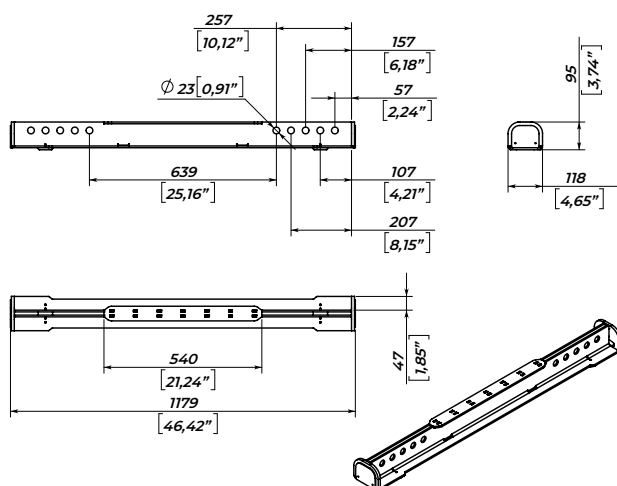


The Flybar S218 - for mounting suspension of several S218 subwoofers. Made of high-quality steel and specially designed by engineers for reliable install of up to 12 subwoofers in a suspension. It has a strong construction for easy mount.

ACCESSORIES



DIMENSIONS



SPECIFICATIONS

Functions	Suspended mount
Compatibility	S218
Maximum number	12 pcs (Suspension)
Load limit	1000 kg / 2200 lbs
Color	Black
Dimensions	1179 x 118 x 95 mm / 46,42" x 4,65" x 3,74"
Weight	15,62 kg / 34,43 lbs

SAFETY INSTRUCTIONS

1. Entrust mounting equipment to the experienced professionals following current safety instructions. Improperly installed equipment can result in property damage, personal injury and/or liability to the installing contractor.
2. Always use safety cables to prevent equipment from falling during setup or while exploitation.
3. Carefully check the mounting surface of the wall. Make sure wall material can hold the weight of the speaker with the mounting added.
4. Make sure to securely fix all the mounting bolts. Loose bolts may become unscrewed with time due to vibration and create safety hazard.

DATASHEET