

ST6-PM30



Tilt adapter for pole

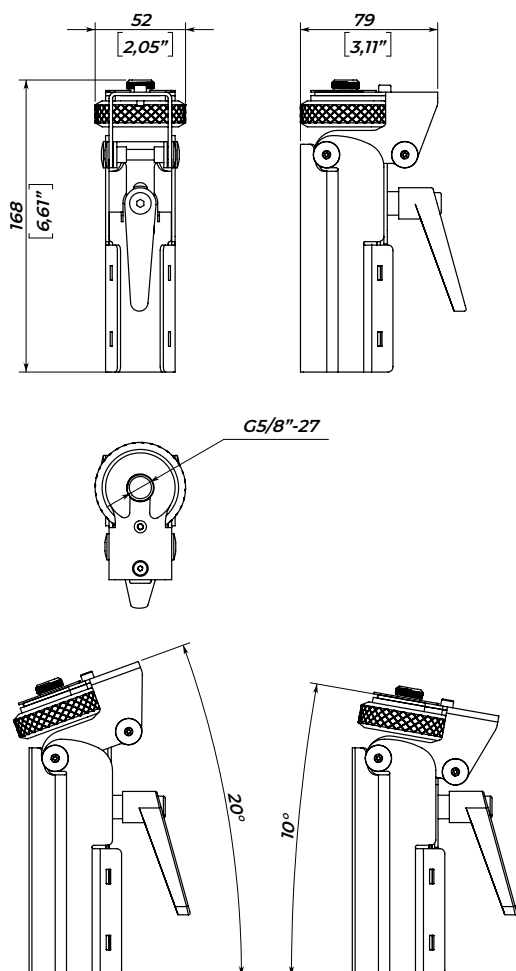
Given the fact that the stability of the microphone stand depends heavily on its design, we also provide a more reliable and predictable mounting option using a standard 35 mm pole using an adapter. This option also offers better compatibility if you need to install a loudspeaker on a subwoofer. We offer the adapter for a 35 mm pole a tilt ST6-PM30.

The ST6-PM30 is a pole adapter for STING 6Q and STING 6Qi with tilt functionality which offers an adjustable angle between +20° and -10°.

The ST6-PM30 mount fits all loudspeakers that are foreseen from universal mounting patterns a G5/8"-27 thread for simple mounting.



DIMENSIONS



SPECIFICATIONS

Functions	tilt adapter
Thread mounting	G5/8"-27
Tilt angle	-10° to +20°
Dimensions (W x H x D)	52 x 168 x 79 mm / 2,05" x 6,61" x 3,11"
Weight	0,75 kg / 1,65lbs

SAFETY INSTRUCTIONS

1. Entrust mounting equipment to the experienced professionals following current safety instructions. Improperly installed equipment can result in property damage, personal injury and/or liability to the installing contractor.
2. Always use safety cables to prevent equipment from falling during setup or while exploitation.
3. Carefully check the mounting surface of the wall. Make sure wall material can hold the weight of the speaker with the mounting added.
4. Make sure to securely fix all the mounting bolts. Loose bolts may become unscrewed with time due to vibration and create safety hazard.

