

ST6-TA



Table adapter

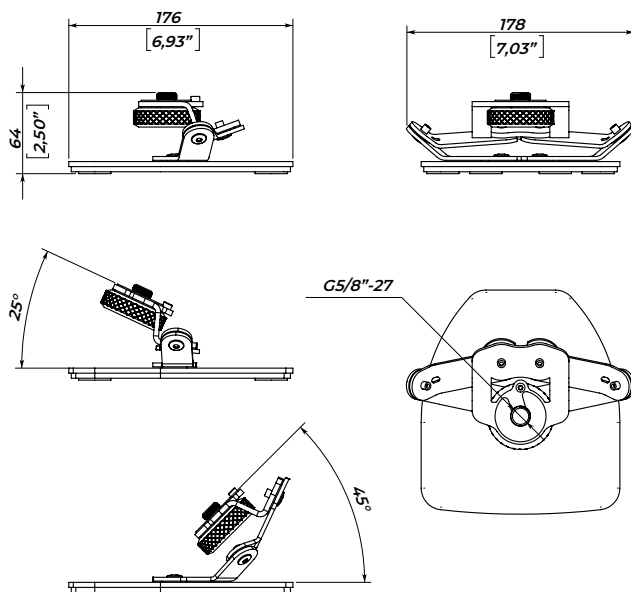
The unique stand - ST6-TA - which engineers of the rental companies really will appreciate. This stand allows you to securely install the loudspeaker on any surface.

The ST6-TA is a table adapter for STING 6Q and STING 6Qi with tilt functionality.

The ST6-TA mount fits all loudspeakers that are foreseen from universal mounting patterns a G5/8"-27 thread for simple mounting. It provides the desired tilt angle of inclination between +45° and -25°.



DIMENSIONS



SPECIFICATIONS

Functions	table adapter
Thread mounting	G5/8"-27
Tilt angle	-25° to +45°
Dimensions (W x H x D)	176 x 64 x 178 mm / 6,93" x 2,50" x 7,03"
Weight	2,04 kg / 4,5 lbs

SAFETY INSTRUCTIONS

1. Entrust mounting equipment to the experienced professionals following current safety instructions. Improperly installed equipment can result in property damage, personal injury and/or liability to the installing contractor.
2. Always use safety cables to prevent equipment from falling during setup or while exploitation.
3. Carefully check the mounting surface of the wall. Make sure wall material can hold the weight of the speaker with the mounting added.
4. Make sure to securely fix all the mounting bolts. Loose bolts may become unscrewed with time due to vibration and create safety hazard.

