

WSF-02

WSF-02CW

Versatile
frame



WASP line array is the pinnacle of MAG Audio technology ready for next-generation precisely controlled sound spaces. The scalable philosophy behind WASP allows us to use it in small installations as well as in large-scale touring and concerts.

WSF-02 versatile frame is designed for quick assembly of WASP line array into a ground stack or a flying cluster. It is used both as a flying and an interconnection frame for WASP-8, and WASP-SXX speakers.

There are several installation options: as a transition frame from subwoofers to a WASP line array, hanging a WASP-8 array (no more than 24 pieces), hanging WASP-S series subwoofers (no more than 3 pieces), hanging WASP-S series subwoofers together with a line array WASP-8 (WASP-S series no more than 3 pieces with WASP-8 no more than 6 pieces), ground installation of the WASP-8 array on WASP-S series subwoofers (no more than 6 pieces).

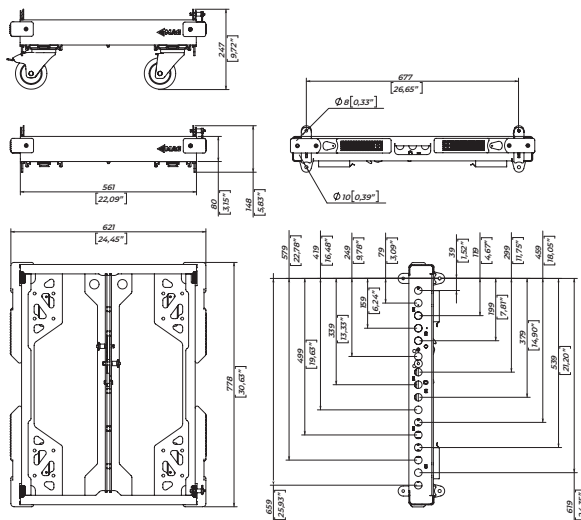
WSF-02



WSF-02CW



DIMENSIONS



SPECIFICATIONS

Type	Line array versatile frame
Functions	WASP-8 flying frame WASP-SXX with WASP-8 flying frame WASP-8 to WASP-SXX connection frame WASP-SXX to WASP-8 ground stack frame WASP-8 / WASP-SXX transportation cart
Features	Removable 100mm castor wheels Plastic corner protection bumpers Handles for convenience of mounting
Compatibility	WASP-8 / WASP-S12 / WASP-S15 / WASP-S18
Maximum number of WASP	WASP-8 - 24 pcs (Suspension) WASP-8 - 6 pcs (Ground stack) WASP-SXX - 3 pcs & WASP-8 - 6 pcs (Suspension) WASP-SXX - 3 pcs (Suspension) WASP-SXX - 3 pcs (Ground stack) WAR-X - 1 pcs & WASP-SXX - 1 pcs (Suspension)
Color	Black
Dimensions	778 x 621 x 148 mm / 30,63" x 24,45" x 5,83" - (no wheels) 778 x 621 x 247 mm / 30,63" x 24,45" x 9,72"
Weight	20 kg / 44,09 lbs (no wheels) 21,7 kg / 47,9 lbs

ACCESSORIES



WSF-Bumper



Bump WASP
Ext15



Wheel

SAFETY INSTRUCTIONS

- Entrust mounting equipment to the experienced professionals following current safety instructions. Improperly installed equipment can result in property damage, personal injury and/or liability to the installing contractor.
- Always use safety cables to prevent equipment from falling during setup or while exploitation.
- Carefully check the mounting surface of the wall. Make sure wall material can hold the weight of the speaker with the mounting added.
- Make sure to securely fix all the mounting bolts. Loose bolts may become unscrewed with time due to vibration and create safety hazard.