



CLUSTER Q CLUSTER Q4 CLUSTER Q8

INSTALLATION LINE ARRAY MODULE

Cluster Q, Q4 and Q8 systems represent a unique installation line array system with integrated mounting capabilities, providing flexible tool for system engineer to introduce uniform coverage into each and any of sound projects. With convenient options for wiring and amplifier connection, Q, Q4 and Q8 can be used to accurately steer the sound field for even the most difficult acoustical conditions.

Cluster series are optionally available as waterproof, and can be used with installation subwoofers to deliver a complete package of in-house sound system for a sound-pressure demanding high-profile projects.



Main features:

- 620W nominal power
- Four 6" woofers with 1,75" voice coil
- Two 1" HF driver with 1,75" voice coil
- 142 dB Max SPL
- Integrated flying hardware

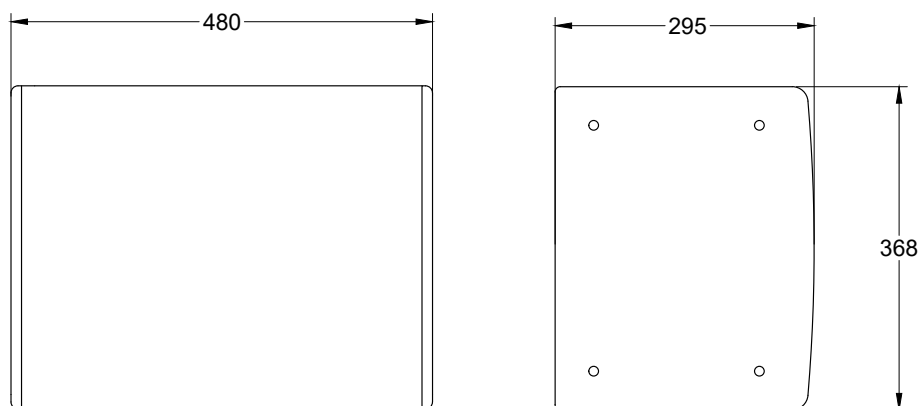
	Cluster Q	Cluster Q4	Cluster Q8
Frequency response (-10dB)	100 - 19000 Hz		
Max SPL ¹	142 dB		
Sensitivity (1W/1m)	98 dB Low / 113 dB High		
LF Driver	4x 6", 1,75" VC		
HF Driver	2x 1", 1,75" VC		
Horizontal coverage	90 deg		
Vertical splay angle	0 deg	4 deg	8 deg
Impedance	8 Ohm Low / 16 Ohm High		
Nominal power ²	520 W Low / 100 W High		
Connectors	Barrier strip		
Dimensions (WxHxD)	480x368x286 mm	480x372x298 mm	480x371x99 mm
Net weight	24 kg		
Shipping weight	26,5 kg		
Mounting	Integrated flying hardware		
Enclosure materials	Plywood; wear resistant paint		
Grill	Steel grill, polymere protective net		

¹ - peak value, calculated according to AES 2 - 2012

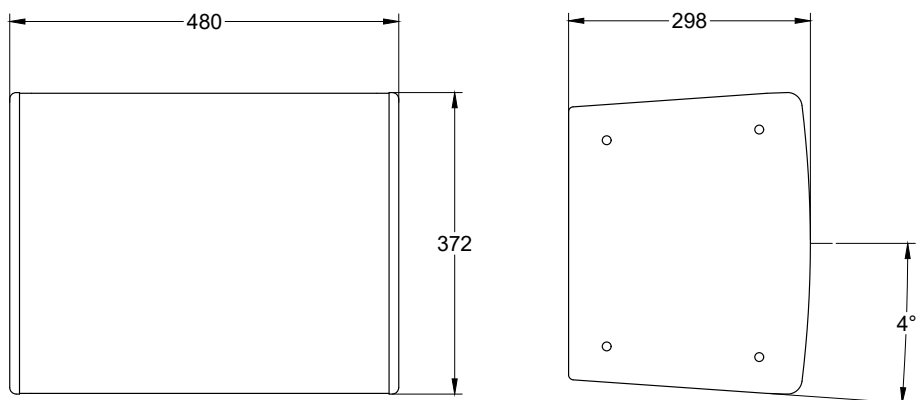
² - based on transducer power measured according to AES 2 - 2012



Cluster Q



Cluster Q4



Cluster Q8

