

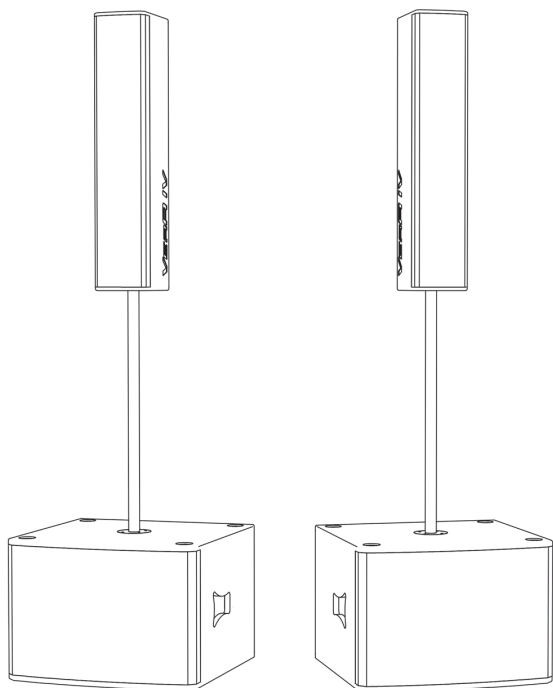
Vera II Vera IV

Specifications & rigging guide

CONTENTS

This contents & System application	2
VerA II specifications	3
VerA IV specifications	4
Installation options & Accessories	5
Connections & integrated processor setups	6

SYSTEM APPLICATION



VerA series speaker sets offer complete sound reinforcement solution for portable and fixed installations alike.

Based on lightweight efficient neodymium cone and HF drivers, series's satellites are lightweight and compact. Whole set easily fits inside even a small car, and is a perfect solution for mobile applications.

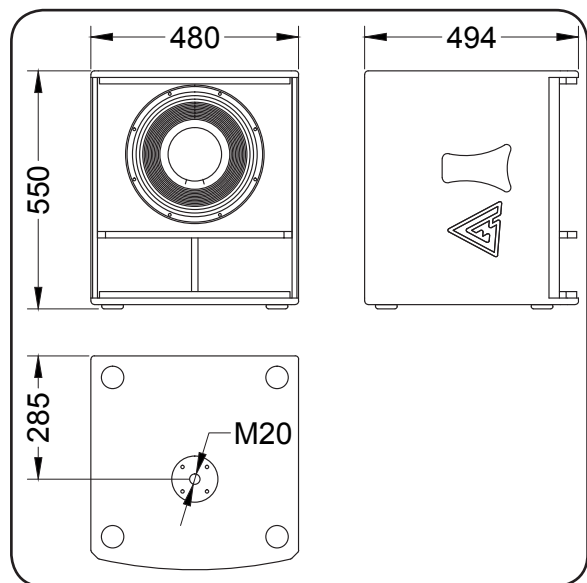
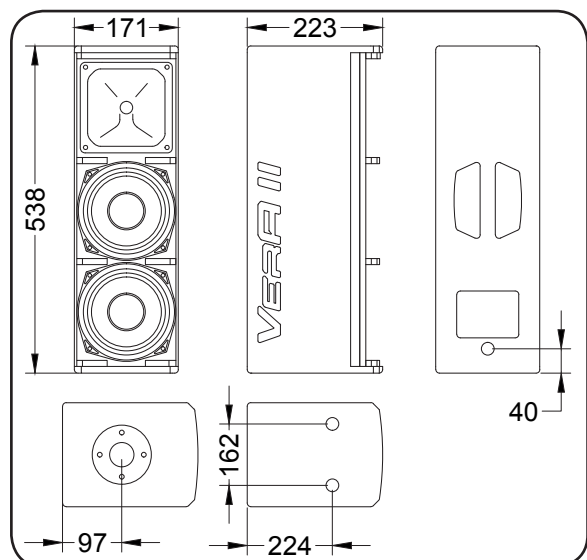
Reinforced by powerful 12" and 15" subwoofers, **VerA series** is packing enough punch and depth to compare them to bigger, conventional FOH systems.

Systems are complete with **Powersoft®** amplification and digital sound processing, making installation, set-up and use process smooth and easy.

Vera II

Portable speaker set

Vera II was designed to address the demand for portable, lightweight, yet powerful and versatile sound system. Comprising of dual 6" plus 1" driver satellites, with a strong backup from 12" subwoofer, Vera II offers strong punch and great clarity.



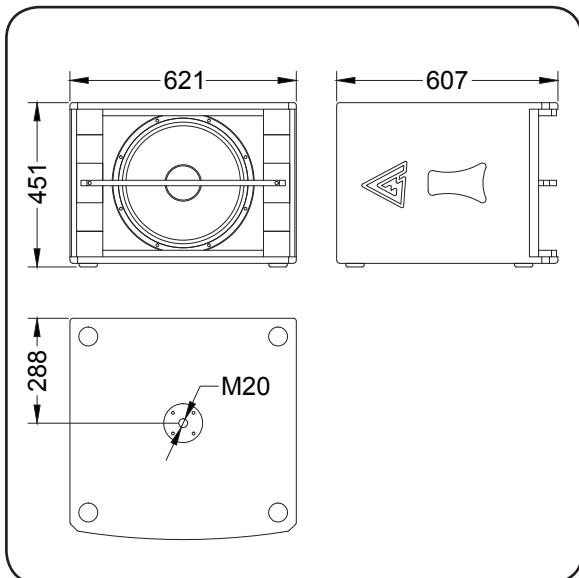
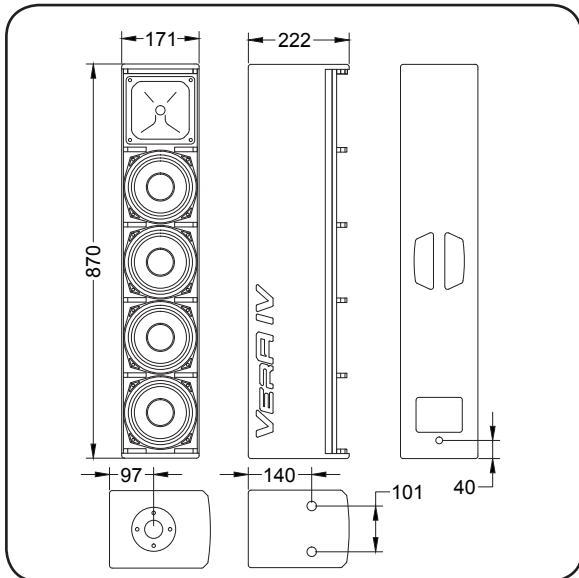
Type	Portable speaker set
Acoustical	
Frequency range (-10 dB)	45 - 20000 Hz
Max sound pressure level	128 dB
Satellite	
LF driver	2x 6N101
HF driver	N4101
Coverage	90° x 40°
Subwoofer	
LF driver	M1261
Amplifier	
Power	2400 W
Satellite	350 W + 150 W
Subwoofer	700 W
Amplifier type	D-class Powersoft
Input sensitivity	+4 dBV
Cooling	Fan
Connections	XLR Male + XLR Female
Processing options	
Crossover frequency	150 Hz (Lo - Mid)
Protection	RMS, peak, thermal prot.
Controls	Volume knob, preset switch
Enclosure (satellite)	
Dimensions (WxHxD)	171x538x223 mm
Net weight	9 kg
Flying options	3x M10
Enclosure (subwoofer)	
Dimensions (WxHxD)	480x550x494 mm
Net weight	32 kg
Enclosure materials	15 mm birch plywood, textured paint
Grill	Steel painted grill, acoustically transparent cloth
Colour	Black
Pole mount adapter	M20

Vera IV

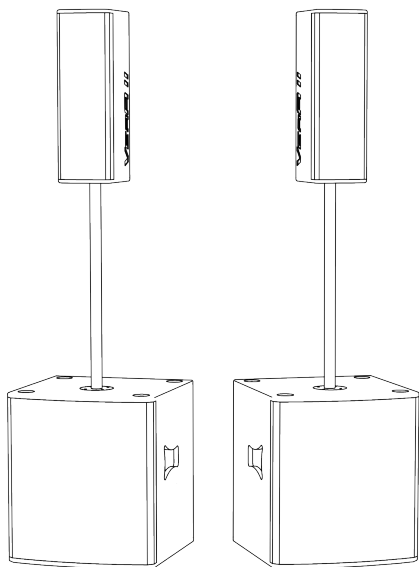
Portable speaker set

Vera IV is the complete solution where portable, powerful and reliable sound system is a must have. It features quad 6" plus 1" low distortion driver satellites and effective 15" subwoofer. Driven by integrated Powersoft® amplifier and processing, Vera IV is easy to setup and use.

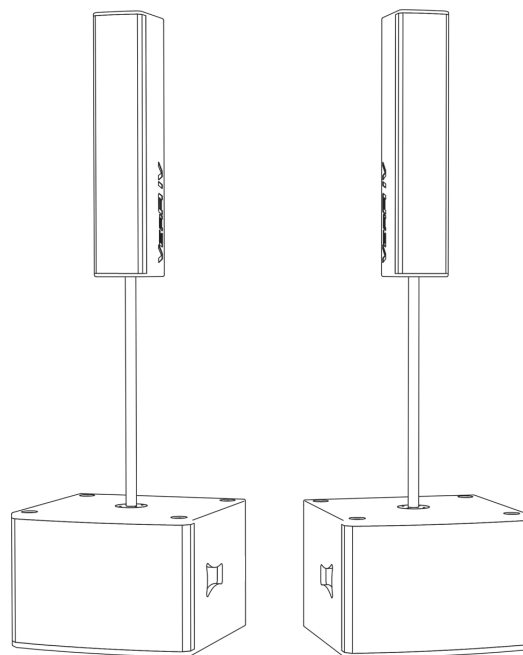
Type	Portable speaker set
Acoustical	
Frequency range (-10 dB)	42 - 20000 Hz
Max sound pressure level	131 dB
Satellite	
LF driver	4x 6" (6N101)
HF driver	1" neodymium (N4101)
Coverage	90° x 40°
Subwoofer	
LF driver	15" (15N500)
Amplifier	
Power	3000 W
Satellite	750 W
Subwoofer	750 W
Amplifier type	D-class Powersoft
Input sensitivity	+4 dBV
Cooling	Fan
Connections	XLR Male + XLR Female
Processing options	
Crossover frequency	150 Hz (Lo - Mid)
Protection	RMS, peak, thermal prot.
Controls	Volume knob, preset switch
Enclosure (satellite)	
Dimensions (WxHxD)	171x870x223 mm
Net weight	14 kg
Flying options	3x M10
Enclosure (subwoofer)	
Dimensions (WxHxD)	621x450x607 mm
Net weight	39 kg
Enclosure materials	15 mm birch plywood, textured paint
Grill	Steel painted grill, acoustically transparent cloth
Colour	Black
Pole mount adapter	M20



Installation options



VerA II pole mounted

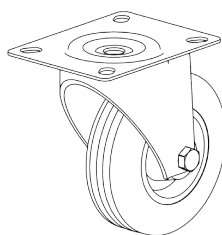


VerA IV pole mounted

Accessories



Distance pole



80 mm castor wheels
optionally available for subwoofers



Transportation bags

Connections

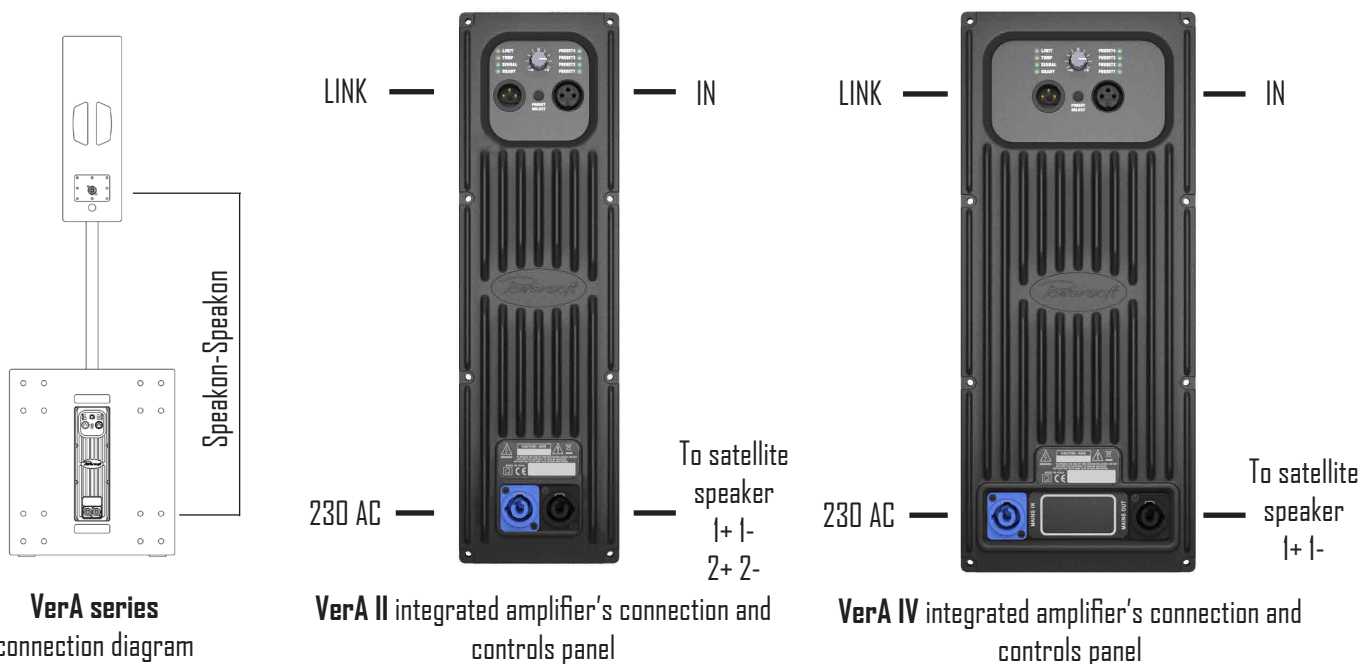
VerA II & VerA IV's amplifiers are built into subwoofers, with passive satellite connection.

Use XLR-XLR cables to connect amplifier's input to signal source (e.g., mixer).

Use PowerCon mains cable to power the amplifier.

Use 1+ 1- 2+ 2- Speakon - Speakon cable to connect the **VerA II** satellite to subwoofer.

Use 1+ 1- Speakon - Speakon cable to connect the **VerA IV** satellite to subwoofer.

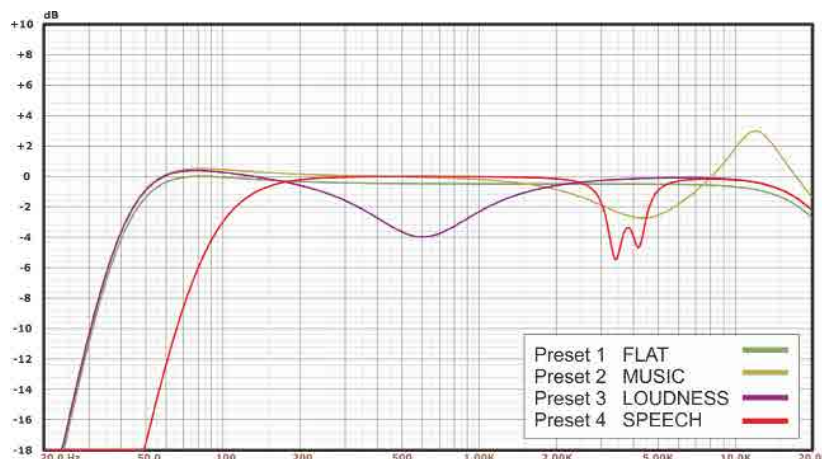


Integrated processor setups

VerA series speakers come with integrated Powersoft® amplification and DSP sound processing for ease of installation and system setup.

VerA II & VerA IV speaker set's DSP is programmed for several desired response curves:

- Preset 1 : FLAT Neutral response.
- Preset 2 : MUSIC Sonically pleasant response for prolonged listening experience.
- Preset 3 : LOUDNESS When even more musical power and drive are in order.
- Preset 4 : SPEECH Speech clarity and reduced feedback on most popular vocal mike models.



VerA series DSP presets responses