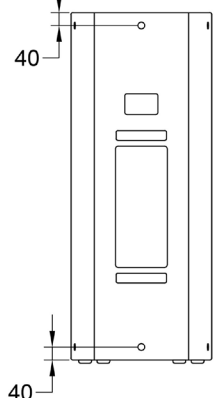
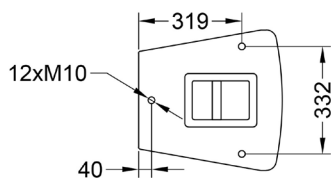
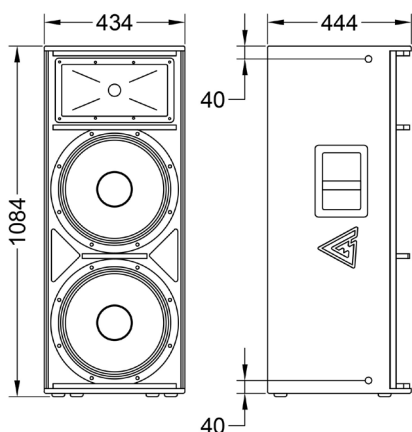
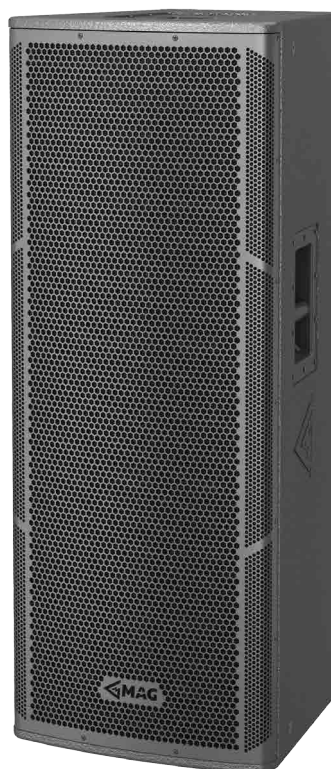




K 25A

2,5-WAY POWERED SPEAKER



Main features:

- 2000W power
- 15" woofer with 4" voice coil
- 15" woofer-midrange with 4" voice coil
- 2" HF driver with 2,8" voice coil
- 137 dB Max SPL

Frequency Response (-10dB)	45 - 20000 Hz
Max SPL (peak)	137 dB (calculated)
LF Transducer	15", M1570
LF-MF Transducer	15", M1555
HF Transducer	2", M200
Nominal coverage HxV	80° x 40°
Power	2000 W
Amplifier	Powersoft class D Bi-amp LF 1000W+LF-MF-HF 1000W Fan cooling
Input sensitivity	0 dBV
Settings	4 switchable presets

Connectors	XLR in + XLR out
Dimensions (WxHxD)	434x1084x444 mm
Net weight	57 kg
Shipping weight	63 kg
Mounting	12x M10 flying points
Enclosure materials	Plywood; wear-resistant paint
Grill	Steel grill, polymere protective net
Color	Black

Acoustical & Electrical data

Connections, physical data
and exploitation