

# FLY 6

## Powered line array module

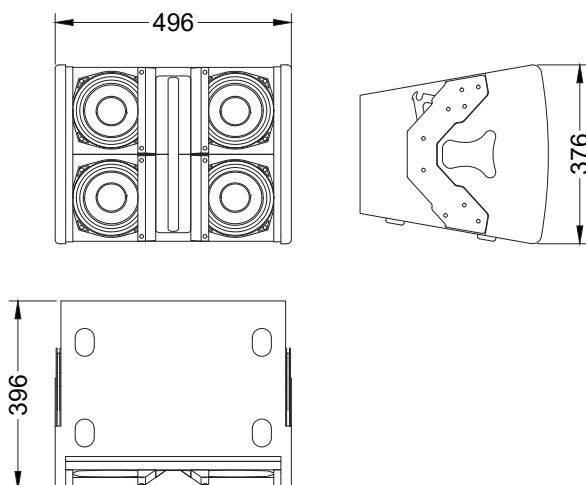
Fly 6 is a compact powered constant curvature line array, designed for use in small concert halls, theaters and clubs.

Fly 6 full-range cabinets are based on four neodymium 6-inch midrange transducers and two neodymium 1-inch high-frequency drivers. Completed with built-in Powersoft amplifiers and flying hardware, Fly 6 is lightweight, compact, and offers convenience for both fixed and mobile installations. The system offers superior efficiency, considerable headroom, and perfect control offered by the state-of-the-art DSP and connectivity options.

Together with low-frequency reinforcement, represented by Fly series subwoofers, Fly 6 is entirely self-powered solution for numerous applications. It may be assembled into ground stack, pole-mounted stack and a few flying configurations, making it perfect for small and middle-sized venues and mobile professionals.



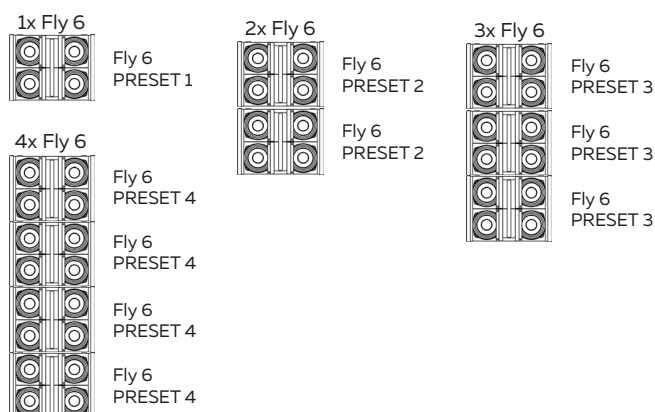
### DIMENSIONS



### SAFETY INSTRUCTIONS

1. Do not pour liquids on speaker system - this may cause driver cone destruction and unappealing speaker appearance. Do not allow direct sunlight on speaker cone in order to prevent premature failure. Do not install speaker system near open flames or heating elements.
2. Do not use speaker system with damaged speakON or speaker cable so as not to cause electric shock hazard or fire hazard.
3. Make sure speaker system is firmly set up on the floor, stage, or wall (where applicable).
4. While setting speaker system up onto an angled or slippery surface, make the necessary arrangements to avoid vibration-induced movement.
5. Speaker system is capable of delivering significant sound pressure levels. To avoid permanent or temporary hearing damage, prolonged exposure to sound pressure levels exceeding 90 dB should be limited.

### PRESET USAGE REFERENCE



### SPECIFICATIONS

Frequency response (-10dB)	100 - 19000 Hz
Max SPL (calculated)	133,5 dB
LF Transducer	4x 6", 1,75" VC
HF Transducer	2x 1", 1,75" VC
Nominal coverage HxV	100° x 15°
Amplifier power	1050 W
Amplifier	Class D, fan cooling, DSP with phase-linear FIR
Input sensitivity	+4 dBV
Settings	4 switchable presets
Connectors	XLR in + XLR out, Powercon mains in, Powercon mains out
Dimensions (WxHxD)	496x376x396 mm
Net weight	24 kg
Shipping weight	27 kg
Mounting	Integrated flying hardware
Enclosure materials	Plywood; wear-resistant paint
Grill	Steel grill, acoustically transparent backing
Color	Black

### CONNECTIONS

FLY series powered systems are supplied with CN-0010 PowerCon-E/F CEE 7/7 mains cable (part number 0204000003). Use only original or supplied by manufacturer mains cables!

FLY series powered systems are equipped with PowerCon B mains power outlets for mains link to additional FLY series powered system.

FLY series systems' nominal mains power specifications: AC 220V, 50/60 Hz.  
Nominal voltage tolerance: 100 - 250 V.

FLY series systems are equipped with XLR INPUT and XLR LINK connectors for signal connection.

Use of balanced XLR connector cables is recommended. In case when balanced XLR connections are not available, unbalanced XLR connection is acceptable.

For linking the additional system to the same signal bus LINK connector may be used.