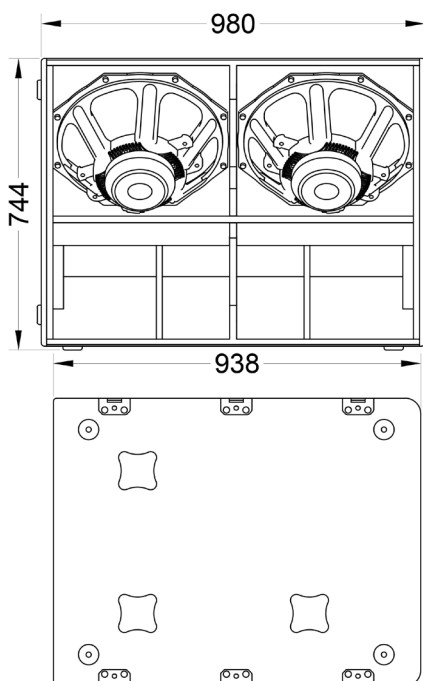




HORNET SUB 18

PASSIVE LINE ARRAY
SUBWOOFER



Main features:

- 3200W nominal power
- 2x18" woofer with 4,5" voice coil
- 147 dB Max SPL
- Effective hybrid box design
- Integrated flying hardware

Frequency Response (-10dB)	35 - 120 Hz
Max SPL (peak)	147 dB (calculated)
Sensitivity (1W/1m)	106 dB
LF Transducer	2x18", 18N1600
Impedance	4 Ohm
Nominal power	3200 W
Program power	6400 W
Peak power	12800 W
Connectors	2x Neutrik Speakon
Dimensions (WxHxD)	980x744x938 mm
Net weight	105 kg
Shipping weight	110 kg
Mounting	Integrated flying hardware
Enclosure materials	Plywood; wear-resistant paint
Grill	Steel grill
Color	Black

Acoustical & Electrical data

Connections, physical data
and exploitation