



M1041

MID BASS TRANSDUCER FOR LINE ARRAY MODULES AND COMPACT 2-WAY SPEAKERS



Main features:

- aluminum die-cast octagonal frame with small installation dimensions;
- removable self-centering ferrite magnet system;
- inside-outside copper clad aluminum voice coil;
 - ventilated voice coil gap;
 - treated cone for water protection.

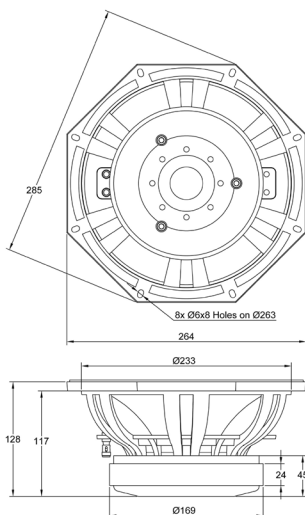
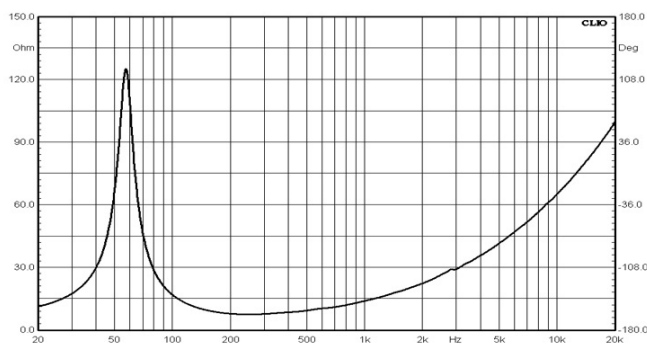
Main specifications:

- 10" nominal diameter;
- 800 W AES program power;
- 95 dB 1W/1m sensitivity;
- 3" CCAW voice coil;
- 5,8 kg weight.

Frequency response



Free air impedance



Nominal diameter, inches (mm)	10(250)
Nominal impedance, Ohm	8/16
Rated power (AES), W	400*
Frequency range, Hz	60-3000
Sensitivity (1W / 1m), dB	95
Minimum impedance, Ohm	7,4@250Hz
Bl product, Tm	18,8
Voice coil inductance, mH (1kHz)	1,41
Moving mass Mms, g	54

Diameter, inches (mm)	3(76)
Winding material	CCA W
Former material	glass fiber
Winding depth, mm	17
Magnetic gap depth, mm	10
Flux density, T	1,12

Fs, Hz	58,7
Vas, l	23
Qts	0,31
Qes	0,33
Qms	7
Re, Ohm	5,9
Sd, cm ²	346
Xmax, mm	6***
n, %	1,36

Overall diameter, mm	285/264
Baffle cutout diameter, mm	233
Bolt hole diameter, mm	6x8
Bolt circle diameter, mm	263
Height, mm	130
Net weight, kg	5,8

Specifications

Voice coil and Magnetic system

Thiele-Small parameters**

Mounting information

* Rated power is determined according to AES2 - 1984 (r2003) standard.
 ** TS parameters are measured after a preconditioning power test.
 *** Xmax is calculated as: $(Hvc - Hg) / 2 + Hg / 4$ where Hvc is the voice coil winding depth and Hg is the gap depth.