



M1215

LF TRANSDUCER FOR COMPACT TWO-WAY AND MULTI-WAY SPEAKERS



Main features:

- aluminum die-cast frame;
- removable self-centering ferrite magnet system;
- inside-outside copper voice coil.

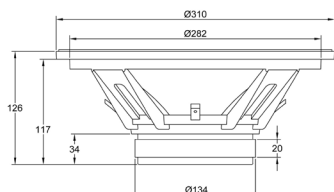
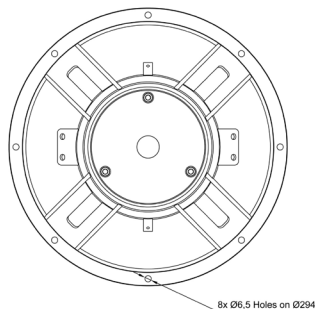
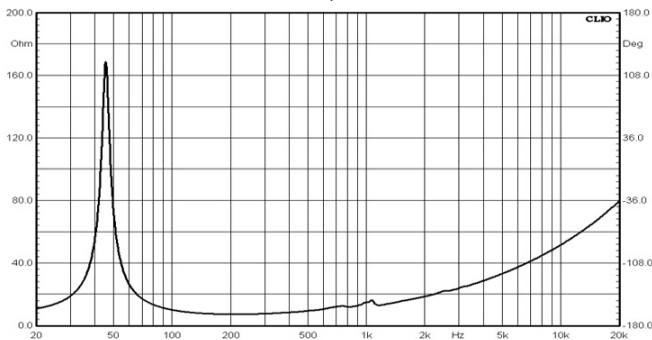
Main specifications:

- 12" nominal diameter;
- 400 W AES program power;
- 96 dB 1W/1m sensitivity;
- 2" copper voice coil;
- 3,5 kg weight.

Frequency response



Free air impedance



Nominal diameter, inches (mm)	12(300)
Nominal impedance, Ohm	4/8
Rated power (AES), W	180*
Frequency range, Hz	50-4000
Sensitivity (1W / 1m), dB	96
Minimum impedance, Ohm	7,2@210Hz
Bl product, Tm	13,8
Voice coil inductance, mH (1kHz)	1,26
Moving mass Mms, g	46,4

Diameter, inches (mm)	2(51)
Winding material	cooper
Former material	glass fiber
Winding depth, mm	15
Magnetic gap depth, mm	8
Flux density, T	1,09

Fs, Hz	45,5
Vas, l	97
Qts	0,41
Qes	0,43
Qms	9,8
Re, Ohm	6,2
Sd, cm²	510
Xmax, mm	5,5***
n, %	2,1

Overall diameter, mm	310
Baffle cutout diameter, mm	282
Bolt hole diameter, mm	7
Bolt circle diameter, mm	294
Height, mm	132
Net weight, kg	3,5

Specifications

Voice coil and Magnetic system

Thiele-Small parameters**

Mounting information

* Rated power is determined according to AES2 - 1984 (r2003) standard.
 ** TS parameters are measured after a preconditioning power test.
 *** Xmax is calculated as: $(H_{vc} - H_g) / 2 + H_g / 4$ where H_{vc} is the voice coil winding depth and H_g is the gap depth.