



M1224

LF TRANSDUCER FOR COMPACT TWO-WAY AND MULTI-WAY SPEAKERS



Main features:

- aluminum die-cast frame;
- removable self-centering ferrite magnet system;
- inside-outside copper clad aluminum voice coil.

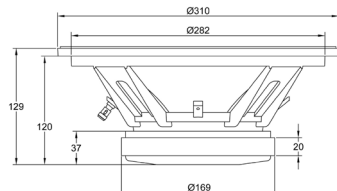
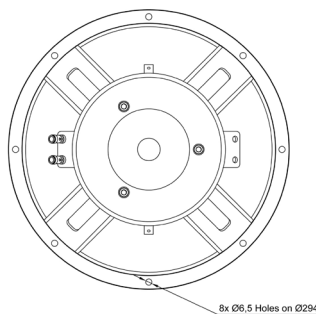
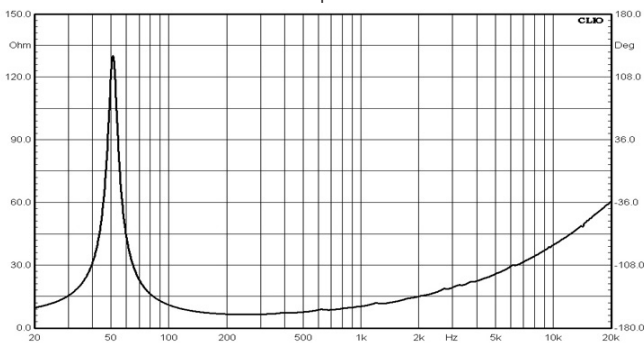
Main specifications:

- 12" nominal diameter;
- 700 W AES program power;
- 96,5 dB 1W/1m sensitivity;
- 2,5" CCAW voice coil;
- 5 kg weight.

Frequency response



Free air impedance



Nominal diameter, inches (mm)	12(300)
Nominal impedance, Ohm	4/8
Rated power (AES), W	350*
Frequency range, Hz	50-3500
Sensitivity (1W / 1m), dB	96,5
Minimum impedance, Ohm	7,2@210Hz
Bl product, Tm	15,9
Voice coil inductance, mH (1kHz)	0,85
Moving mass Mms, g	57,7

Diameter, inches (mm)	2,5(64)
Winding material	CCA W
Former material	glass fiber
Winding depth, mm	16,5
Magnetic gap depth, mm	8
Flux density, T	1,28

Fs, Hz	50,9
Vas, l	69
Qts	0,4
Qes	0,42
Qms	8,9
Re, Ohm	5,7
Sd, cm²	519
Xmax, mm	6***
n, %	2,1

Overall diameter, mm	312
Baffle cutout diameter, mm	284
Bolt hole diameter, mm	7
Bolt circle diameter, mm	294
Height, mm	132
Net weight, kg	5

Specifications

Voice coil and Magnetic system

Thiele-Small parameters**

Mounting information

* Rated power is determined according to AES2 - 1984 (r2003) standard.
 ** TS parameters are measured after a preconditioning power test.
 *** Xmax is calculated as: $(Hvc - Hg) / 2 + Hg / 4$ where Hvc is the voice coil winding depth and Hg is the gap depth.