



M1260

HIGH OUTPUT MID BASS TRANSDUCER FOR HORN, TWO AND MULTI-WAY SPEAKERS



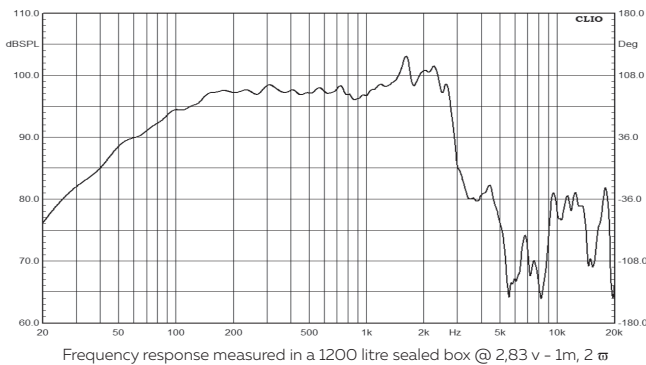
Main features:

- aluminum die-cast frame with improved voice coil ventilation ;
- removable self-centering ferrite magnet system with ventilated gap;
- inside-outside copper clad aluminum voice coil;
 - glass fiber reinforced cone;
 - double silicon spider.

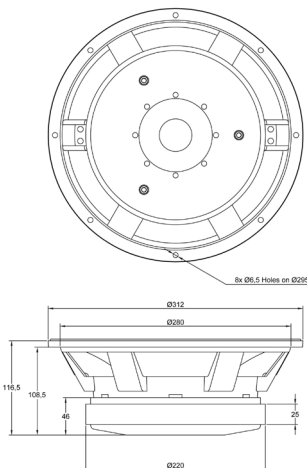
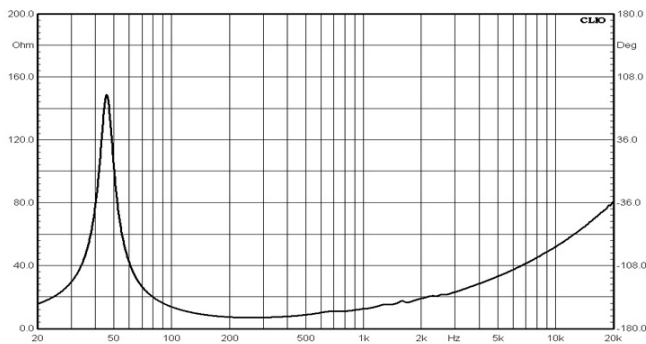
Main specifications:

- 12" nominal diameter;
- 1200 W AES program power;
- 97,5 dB 1W/1m sensitivity;
- 4" CCAW voice coil;
- 8,5 kg weight.

Frequency response



Free air impedance



Nominal diameter, inches (mm)	12(300)
Nominal impedance, Ohm	8
Rated power (AES), W	600*
Frequency range, Hz	55-3000
Sensitivity (1W / 1m), dB	97,5
Minimum impedance, Ohm	6,6@250Hz
Bl product, Tm	20,1
Voice coil inductance, mH (1kHz)	1,2
Moving mass Mms, g	83

Diameter, inches (mm)	4(100)
Winding material	CCA W
Former material	glass fiber
Winding depth, mm	19,5
Magnetic gap depth, mm	10
Flux density, T	1,22

Fs, Hz	46
Vas, l	62
Qts	0,33
Qes	0,34
Qms	8,2
Re, Ohm	5,7
Sd, cm ²	560
Xmax, mm	7,25***
n, %	1,7

Overall diameter, mm	312
Baffle cutout diameter, mm	282
Bolt hole diameter, mm	7
Bolt circle diameter, mm	294
Height, mm	117
Net weight, kg	8,5

Specifications

Voice coil and Magnetic system

Thiele-Small parameters **

Mounting information

* Rated power is determined according to AES2 - 1984 (r2003) standard.
 ** TS parameters are measured after a preconditioning power test.
 *** Xmax is calculated as: $(Hvc - Hg) / 2 + Hg / 4$ where Hvc is the voice coil winding depth and Hg is the gap depth.