



15N1000

HIGH OUTPUT LOW DISTORTION LOW FREQUENCY TRANSDUCER FOR BASS REFLEX AND BAND PASS SYSTEM



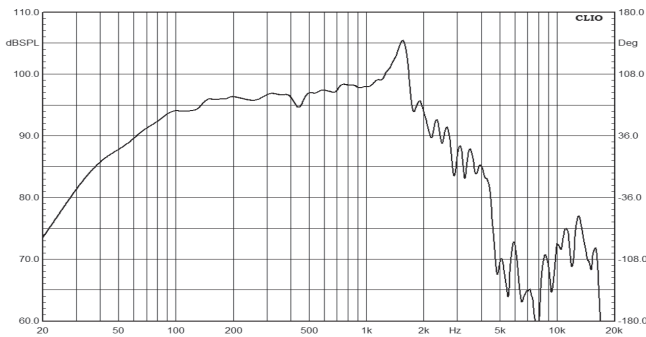
Main features:

- aluminum die-cast frame with improved voice coil ventilation ;
- removable self-centering neodymium magnet system;
- inside-outside copper voice coil.
 - ventilated voice coil gap;
- double aluminum demodulation ring.

Main specifications:

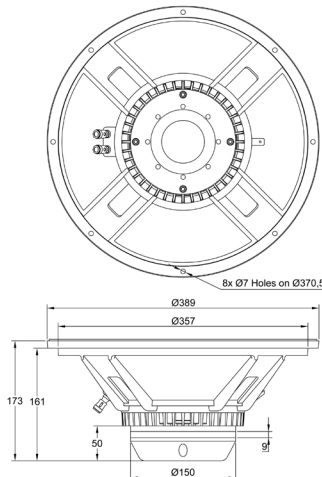
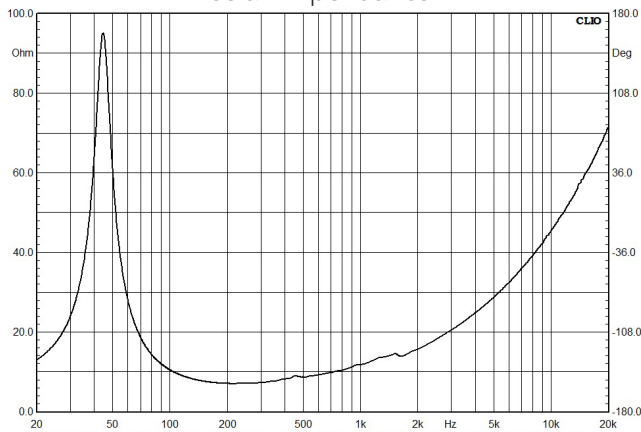
- 15" nominal diameter;
- 2000 W AES program power;
- 97 dB 1W/1m sensitivity;
- 4" copper voice coil;
- 6,5 kg weight.

Frequency response



Frequency response measured in a 1200 litre sealed box @ 2,83 v - 1m, 2 m

Free air impedance



Nominal diameter, inches (mm)	15(380)
Nominal impedance, Ohm	8
Rated power (AES), W	1000*
Frequency range, Hz	40-1500
Sensitivity (1W / 1m), dB	97
Minimum impedance, Ohm	7@160Hz
Bl product, Tm	26,4
Voice coil inductance, mH (1kHz)	1,1
Moving mass Mms, g	146

Diameter, inches (mm)	4(100)
Winding material	copper
Former material	glass fiber
Winding depth, mm	25
Magnetic gap depth, mm	10
Flux density, T	1,2

Fs, Hz	44,6
Vas, l	99,7
Qts	0,32
Qes	0,34
Qms	5,3
Re, Ohm	5,7
Sd, cm ²	900
Xmax, mm	10***
n, %	2,5

Overall diameter, mm	389
Baffle cutout diameter, mm	356
Bolt hole diameter, mm	7
Bolt circle diameter, mm	370,5
Height, mm	173
Net weight, kg	6,5

Specifications

Voice coil and Magnetic system

Thiele-Small parameters**

Mounting information

* Rated power is determined according to AES2 - 1984 (r2003) standard.

** TS parameters are measured after a preconditioning power test.

*** Xmax is calculated as: $(Hvc - Hg) / 2 + Hg / 4$ where Hvc is the voice coil winding depth and Hg is the gap depth.