



15N501

HIGH OUTPUT LOW DISTORTION MID BASS TRANSDUCER FOR COMPACT 2-WAY SPEAKERS



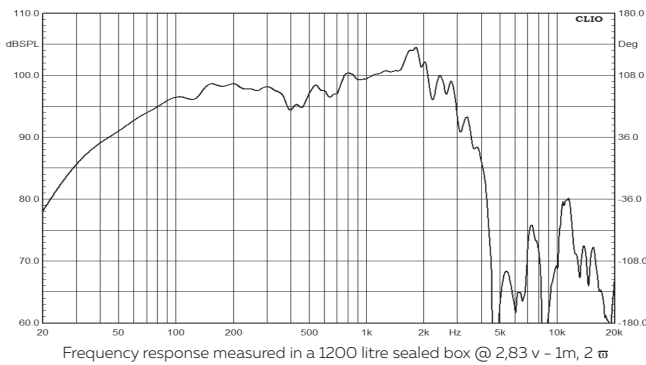
Main features:

- aluminum die-cast octagonal frame with small installation dimensions;
- removable self-centering neodymium magnet system;
- inside-outside copper clad aluminum voice coil;
 - ventilated voice coil gap;
 - double aluminum demodulation ring.

Main specifications:

- 15" nominal diameter;
- 1000 W AES program power;
- 98,5 dB 1W/1m sensitivity;
- 3" CCAW voice coil;
- 4,5 kg weight.

Frequency response



Nominal diameter, inches (mm)	15(380)
Nominal impedance, Ohm	8/4
Rated power (AES), W	500*
Frequency range, Hz	50-3000
Sensitivity (1W / 1m), dB	98,5
Minimum impedance, Ohm	6,6@200Hz
Bl product, Tm	19,6
Voice coil inductance, mH (1kHz)	0,6
Moving mass Mms, g	96

Specifications

Diameter, inches (mm)	3(76)
Winding material	CCA W
Former material	glass fiber
Winding depth, mm	19,2
Magnetic gap depth, mm	8
Flux density, T	1,4

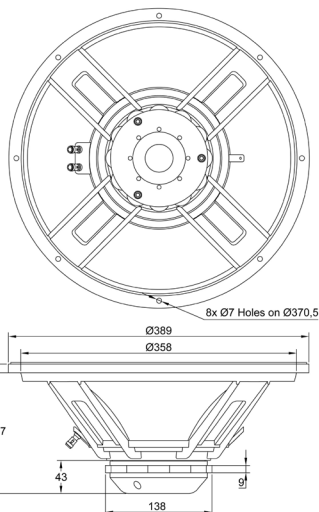
Voice coil and Magnetic system

Fs, Hz	44,5
Vas, l	144
Qts	0,39
Qes	0,41
Qms	7,6
Re, Ohm	5,8
Sd, cm ²	876
Xmax, mm	7,5***
n, %	3

Thiele-Small parameters **

Overall diameter, mm	422/390
Baffle cutout diameter, mm	354
Bolt hole diameter, mm	6/8
Bolt circle diameter, mm	398
Height, mm	164
Net weight, kg	4,5

Mounting information



* Rated power is determined according to AES2 - 1984 (r2003) standard.

** TS parameters are measured after a preconditioning power test.

*** Xmax is calculated as: $(Hvc - Hg) / 2 + Hg / 4$ where Hvc is the voice coil winding depth and Hg is the gap depth.