



# M1524

## MID BASS TRANSDUCER FOR COMPACT 2-WAY SPEAKERS



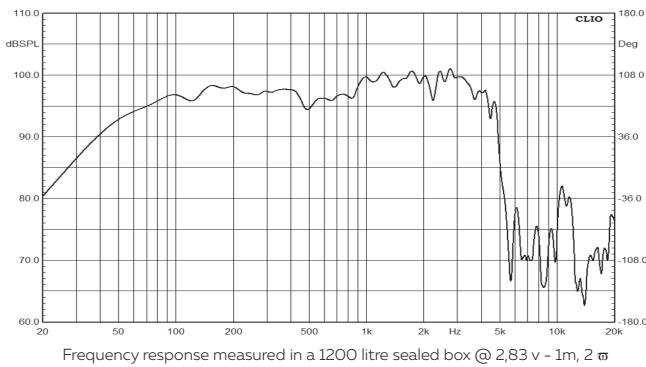
### Main features:

- aluminum die-cast frame;
- removable self-centering ferrite magnet system;
- inside-outside copper clad aluminum voice coil.

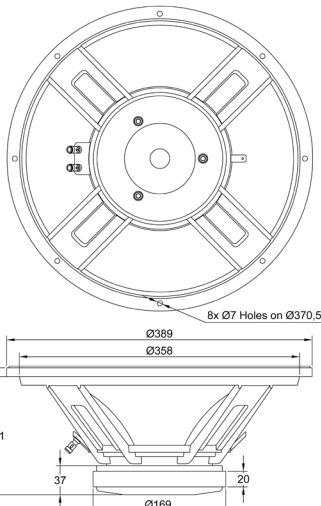
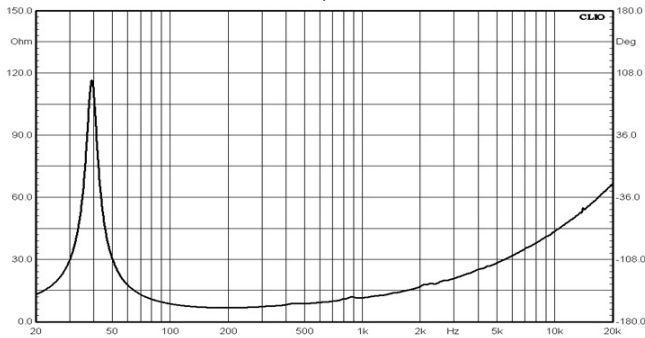
### Main specifications:

- 15" nominal diameter;
- 700 W AES program power;
- 98 dB 1W/1m sensitivity;
- 2,5" CCAW voice coil;
- 5,5 kg weight.

Frequency response



Free air impedance



Nominal diameter, inches (mm)	15(380)
Nominal impedance, Ohm	4/8
Rated power (AES), W	350*
Frequency range, Hz	50-3000
Sensitivity (1W / 1m), dB	98
Minimum impedance, Ohm	6,6@190Hz
Bl product, Tm	17,3
Voice coil inductance, mH (1kHz)	0,88
Moving mass Mms, g	84

Diameter, inches (mm)	2,5(64)
Winding material	CCA W
Former material	glass fiber
Winding depth, mm	16,5
Magnetic gap depth, mm	8
Flux density, T	1,1

Fs, Hz	39,1
Vas, l	206
Qts	0,37
Qes	0,39
Qms	7,24
Re, Ohm	5,7
Sd, cm <sup>2</sup>	860
Xmax, mm	6***
n, %	3

Overall diameter, mm	389
Baffle cutout diameter, mm	356
Bolt hole diameter, mm	7
Bolt circle diameter, mm	370,5
Height, mm	163
Net weight, kg	5,5

Specifications

Voice coil and Magnetic system

Thiele-Small parameters\*\*

Mounting information

\* Rated power is determined according to AES2 - 1984 (r2003) standard.

\*\* TS parameters are measured after a preconditioning power test.

\*\*\* Xmax is calculated as:  $(H_{vc} - H_g) / 2 + H_g / 4$  where  $H_{vc}$  is the voice coil winding depth and  $H_g$  is the gap depth.