



M1861

EXTENDED LOW FREQUENCY TRANSDUCER FOR BASS REFLEX AND BAND PASS SYSTEM



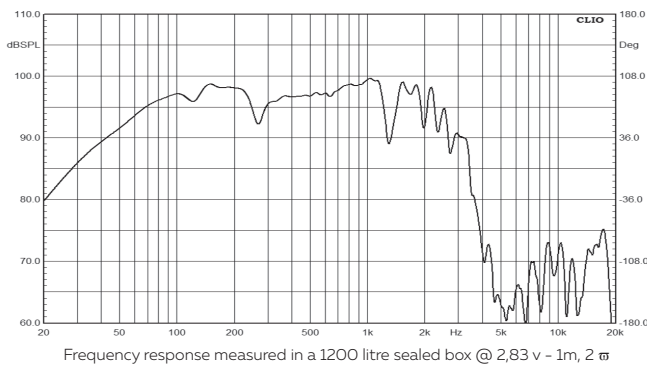
Main features:

- aluminum die-cast frame;
- removable self-centering ferrite magnet system;
- inside-outside copper voice coil;
- ventilated voice coil gap;
- double silicon spider;
- glass fiber reinforced cone.

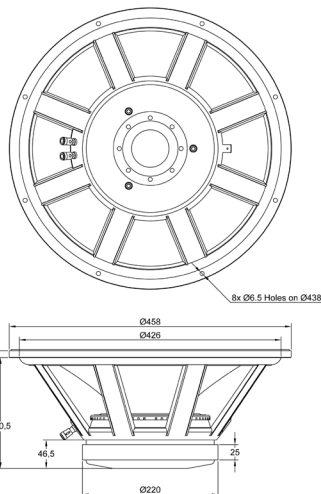
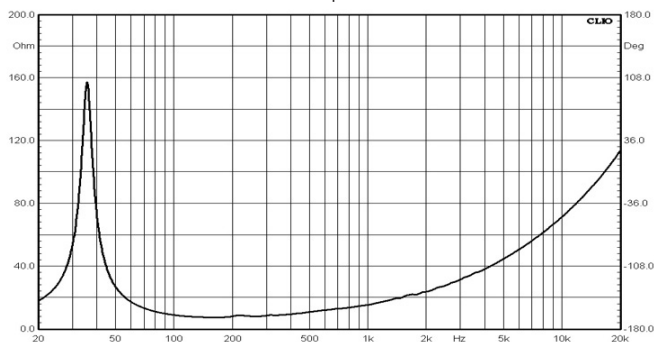
Main specifications:

- 18" nominal diameter;
- 1400 W AES program power;
- 98 dB 1W/1m sensitivity;
- 4" copper voice coil;
- 10,6 kg weight.

Frequency response



Free air impedance



Nominal diameter, inches (mm)	18(460)
Nominal impedance, Ohm	4/8
Rated power (AES), W	700*
Frequency range, Hz	35-1500
Sensitivity (1W / 1m), dB	98
Minimum impedance, Ohm	7,1@160Hz
Bl product, Tm	27,7
Voice coil inductance, mH (1kHz)	1,59
Moving mass Mms, g	192

Diameter, inches (mm)	4(100)
Winding material	copper
Former material	glass fiber
Winding depth, mm	21
Magnetic gap depth, mm	9
Flux density, T	1,23

Fs, Hz	36,3
Vas, l	215
Qts	0,34
Qes	0,35
Qms	8,63
Re, Ohm	6,17
Sd, cm ²	1244
Xmax, mm	8,25***
n, %	2,8

Overall diameter, mm	458
Baffle cutout diameter, mm	425
Bolt hole diameter, mm	6,5
Bolt circle diameter, mm	438
Height, mm	194
Net weight, kg	10,6

Specifications

Voice coil and Magnetic system

Thiele-Small parameters**

Mounting information

* Rated power is determined according to AES2 - 1984 (r2003) standard.

** TS parameters are measured after a preconditioning power test.

*** Xmax is calculated as: (Hvc - Hg) / 2 + Hg / 4 where Hvc is the voice coil winding depth and Hg is the gap depth.