



6N100

HIGH OUTPUT MID FREQUENCY TRANSDUCER FOR HORN AND MULTI-WAY SPEAKERS



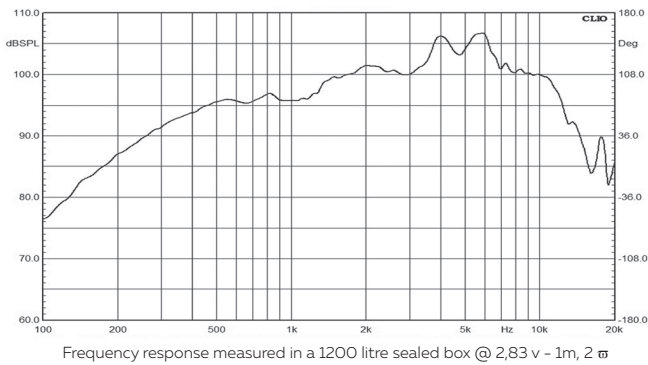
Main features:

- aluminum cast frame;
- removable self-centering neodymium magnet system;
- edgewound copper clad aluminum voice coil;
- aluminum phase plug for improve dispersion control.

Main specifications:

- 6.5" nominal diameter;
- 200 W AES program power;
- 101 dB 1W/1m sensitivity;
- 1.5" CCAR voice coil;
- 1.5 kg weight.

Frequency response



Nominal diameter, inches (mm)	6,5(165)
Nominal impedance, Ohm	8/16
Rated power (AES), W	100*
Frequency range, Hz	400-8000
Sensitivity (1W / 1m), dB	101
Minimum impedance, Ohm	15,1@800 Hz
Bl product, Tm	19,3
Voice coil inductance, mH (1kHz)	0,32
Moving mass Mms, g	7,3

Specifications

Diameter, inches (mm)	1,5(38)
Winding material	CCAR
Former material	glass fiber
Winding depth, mm	8,5
Magnetic gap depth, mm	6,5
Flux density, T	1,7

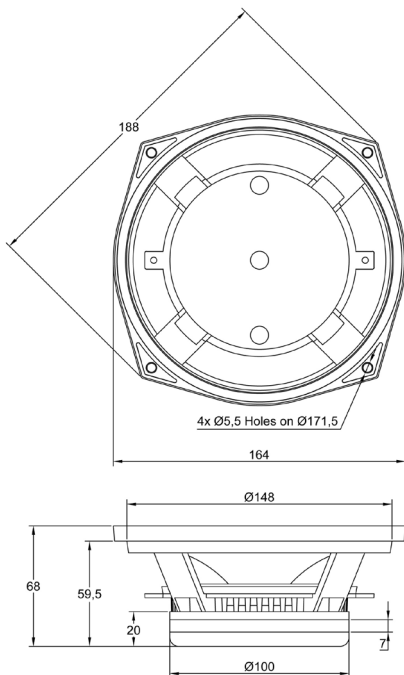
Voice coil and Magnetic system

Fs, Hz	320
Vas, l	1
Qts	0,38
Qes	0,49
Qms	1,75
Re, Ohm	12,7
Sd, cm ²	143
Xmax, mm	2,6***
n, %	6,5

Thiele-Small parameters**

Overall diameter, mm	164/188
Baffle cutout diameter, mm	148
Bolt hole diameter, mm	5,5
Bolt circle diameter, mm	172
Height, mm	68
Net weight, kg	1,5

Mounting information



* Rated power is determined according to AES2 - 1984 (r2003) standard.
 ** TS parameters are measured after a preconditioning power test.
 *** Xmax is calculated as: $(Hvc - Hg) / 2 + Hg / 4$ where Hvc is the voice coil winding depth and Hg is the gap depth.