



# 6N101

## MID BASS TRANSDUCER FOR COMPACT TWO-WAY AND MULTI-WAY SPEAKERS



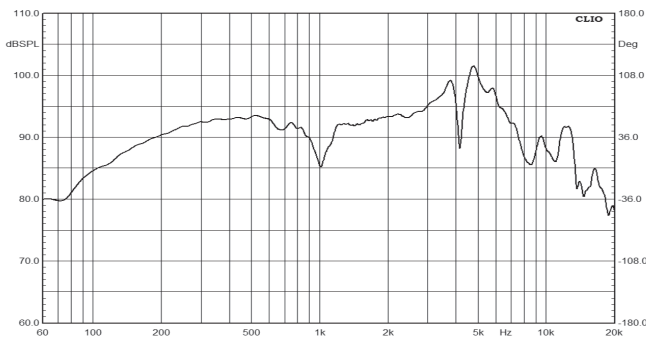
### Main features:

- aluminum die-cast frame with improved voice coil ventilation;
- removable self-centering neodymium magnet system;
- inside-outside copper voice coil;
- shorting copper cap.

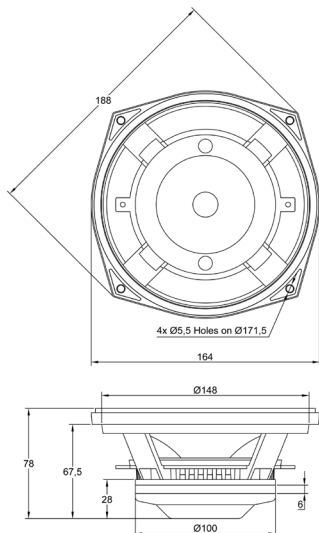
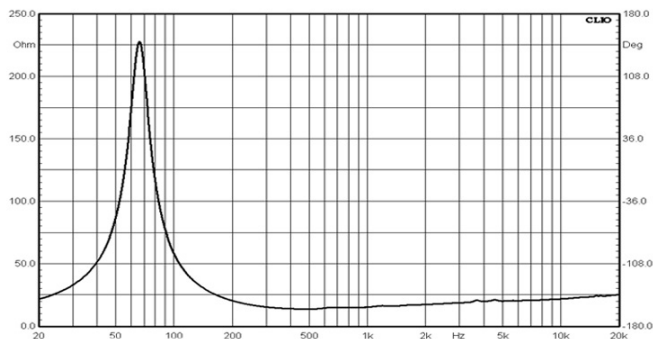
### Main specifications:

- 6.5" nominal diameter;
- 260 W AES program power;
- 93 dB 1W/1m sensitivity;
- 1.75" copper voice coil;
- 1.5 kg weight.

### Frequency response



### Free air impedance



Nominal diameter, inches (mm)	6,5(165)
Nominal impedance, Ohm	8/16
Rated power (AES), W	130*
Frequency range, Hz	70-6000
Sensitivity (1W / 1m), dB	93
Minimum impedance, Ohm	13,8@360Hz
Bl product, Tm	15
Voice coil inductance, mH (1kHz)	0,16
Moving mass Mms, g	11,7

Specifications

Diameter, inches (mm)	1,75(44)
Winding material	cooper
Former material	glass fiber
Winding depth, mm	12,5
Magnetic gap depth, mm	6
Flux density, T	1,4

Voice coil and Magnetic system

Fs, Hz	66,3
Vas, l	11,3
Qts	0,23
Qes	0,24
Qms	4,58
Re, Ohm	11,3
Sd, cm <sup>2</sup>	127
Xmax, mm	5***
n, %	1,32

Thiele-Small parameters\*\*

Overall diameter, mm	164/188
Baffle cutout diameter, mm	148
Bolt hole diameter, mm	5,5
Bolt circle diameter, mm	172
Height, mm	78
Net weight, kg	1,5

Mounting information

\* Rated power is determined according to AES2 - 1984 (r2003) standard.

\*\* TS parameters are measured after a preconditioning power test.

\*\*\* Xmax is calculated as: (Hvc - Hg) / 2 + Hg / 4 where Hvc is the voice coil winding depth and Hg is the gap depth.