



M0612

MID FREQUENCY TRANSDUCER FOR HORN AND MULTI-WAY SPEAKERS.



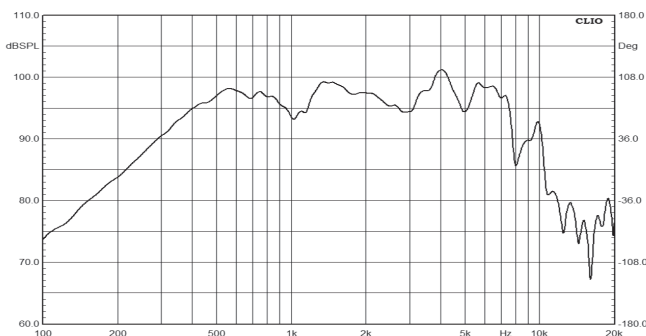
Main features:

- aluminum die-cast frame;
- removable self-centering ferrite magnet system;
- edgewound copper clad aluminum voice coil.

Main specifications:

- 6.5" nominal diameter;
- 200 W AES program power;
- 98 dB 1W/1m sensitivity;
- 1.5" CCAR voice coil;
- 1.9 kg weight.

Frequency response



Nominal diameter, inches (mm)	6,5(165)
Nominal impedance, Ohm	8/16
Rated power (AES), W	100*
Frequency range, Hz	400-7000
Sensitivity (1W / 1m), dB	98
Minimum impedance, Ohm	7"750Hz
Bl product, Tm	10,9
Voice coil inductance, mH (1kHz)	0,48
Moving mass Mms, g	9,8

Specifications

Diameter, inches (mm)	1,5(38)
Winding material	CCAR
Former material	glass fiber
Winding depth, mm	8,5
Magnetic gap depth, mm	6,5
Flux density, T	1,28

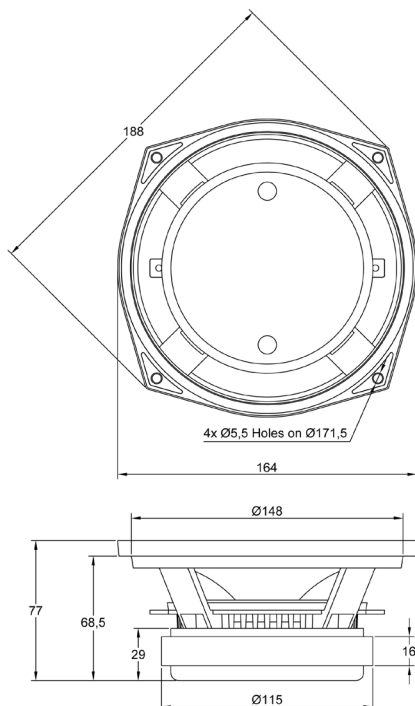
Voice coil and Magnetic system

Fs, Hz	290
Vas, l	0,9
Qts	0,59
Qes	0,94
Qms	1,62
Re, Ohm	6,18
Sd, cm ²	143
Xmax, mm	2,6***
n, %	2,2

Thiele-Small parameters**

Overall diameter, mm	164/188
Baffle cutout diameter, mm	148
Bolt hole diameter, mm	5,5
Bolt circle diameter, mm	172
Height, mm	77
Net weight, kg	1,9

Mounting information



* Rated power is determined according to AES2 - 1984 (r2003) standard.

** TS parameters are measured after a preconditioning power test.

*** Xmax is calculated as: $(H_{vc} - H_g) / 2 + H_g / 4$ where H_{vc} is the voice coil winding depth and H_g is the gap depth.