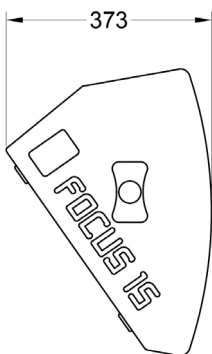
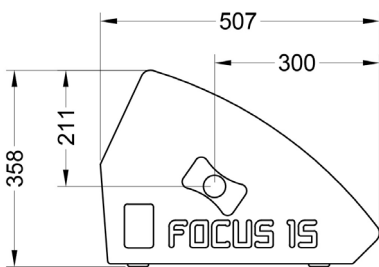
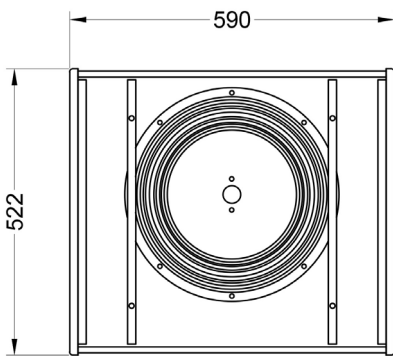




# FOCUS 15

VERSATILE PASSIVE  
STAGE MONITOR



### Main features:

- 400W nominal power
- 15" coaxial driver with 2,8" VC HF section
- 129 dB Max SPL
- Bi-amp/passive crossover mode
- Pole mount adapter

Frequency Response (-10dB)	60 – 19000 Hz
Max SPL (peak)	129 dB (calculated)
Sensitivity (1W/1m)	97 dB
Coaxial driver	15", CX 15-2
Nominal coverage HxV	40° x 60° or 60° x 40° Rotating horn selectable
Impedance	8 Ohm
Nominal power	400 W
Program power	800 W
Peak power	1600 W

Connectors	2x Neutrik Speakon
Dimensions (WxHxD)	590x358x507 mm
Net weight	21 kg
Shipping weight	22 kg
Mounting	Pole mount adapter U-Bracket flying mount (optional)
Enclosure materials	Plywood; wear-resistant paint
Grill	Steel grill, polymere protective net
Color	Black

Acoustical & Electrical data

Connections, physical data  
and exploitation