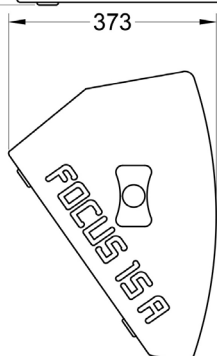
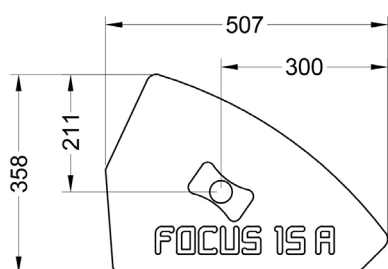
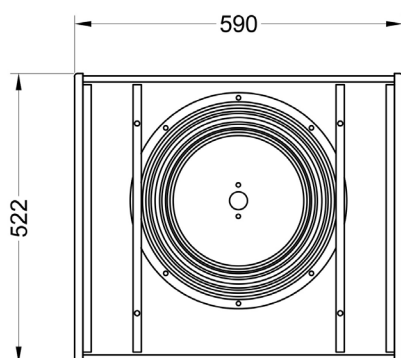




FOCUS 15A

VERSATILE POWERED
STAGE MONITOR



Main features:

- 700W nominal power
- Powersoft® amplifier
- 15" coaxial driver with 2,8" VC HF section
- 129 dB Max SPL
- Pole mount adapter

Frequency Response (-10dB)	60 - 18000 Hz
Max SPL (peak)	129 dB (calculated)
Coaxial driver	15", CX15-2
Nominal coverage HxV	40° x 60° or 60° x 40° Rotating horn selectable
Power	700 W
Amplifier	Class D Powersoft® Convection cooling
Input sensitivity	+4 dBV
Settings	4 switchable presets

Connectors	XLR in + XLR out
Dimensions (WxHxD)	590x358x507 mm
Net weight	22 kg
Shipping weight	24 kg
Mounting	Pole mount adapter U-Bracket flying mount (optional)
Enclosure materials	Plywood; wear-resistant paint
Grill	Steel grill, polymere protective net
Color	Black

Acoustical & Electrical data

Connections, physical data
and exploitation