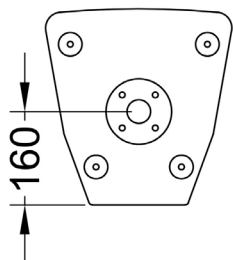
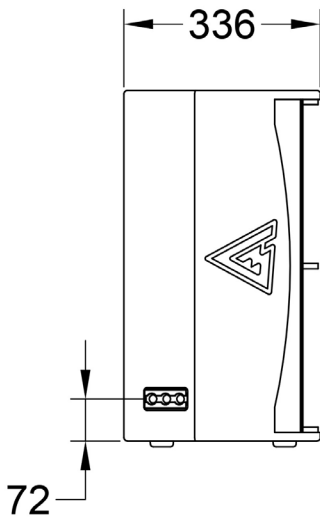
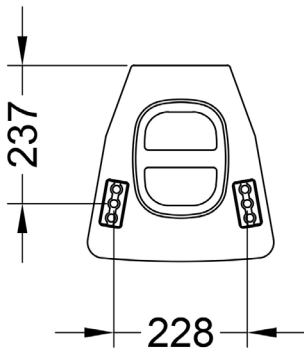
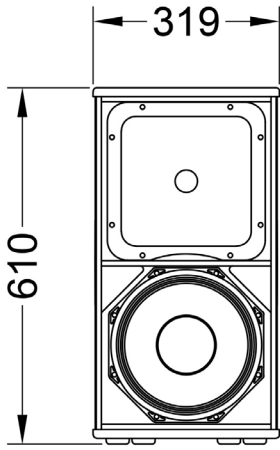




N 10A

FULL-RANGE POWERED SPEAKER



Main features:

- 1200W amplifier power
- 10" woofer with 3" voice coil
- 1,5" HF driver with 3" voice coil
- 131 dB Max SPL
- Pole mount adapter

Frequency Response (-10dB)	65 - 18000 Hz
Max SPL (peak)	131 dB (calculated)
LF Transducer	10"
HF Transducer	1,5"
Nominal coverage HxV	90° x 80°
Power	1200 W
Amplifier	Class D, Fan cooling
Input sensitivity	0 dBV
Connectors	2x XLR
Dimensions (WxHxD)	319x610x336 mm
Net weight	22 kg
Shipping weight	25 kg
Mounting	4x FlyTrack flying points Pole mount adapter
Enclosure materials	Plywood; wear-resistant paint
Grill	Steel grill, acoustically transparent foam

Acoustical & Electrical data

Connections, physical data and exploitation