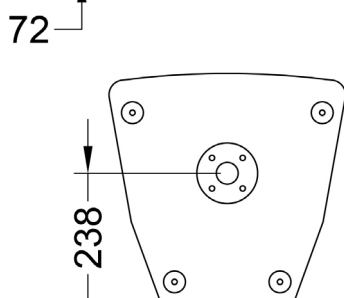
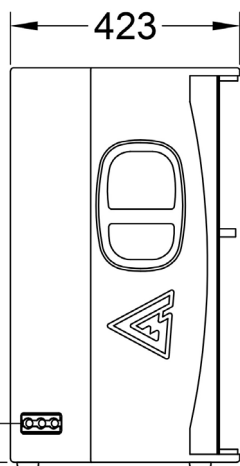
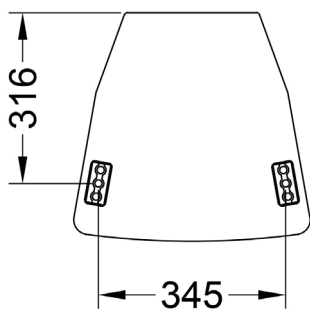
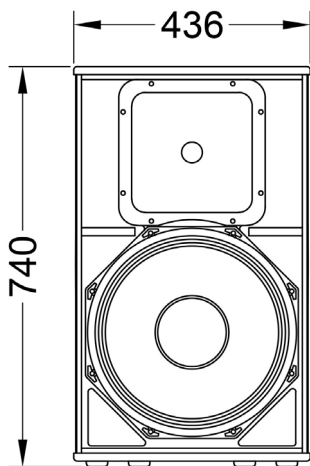




# N 15A

## FULL-RANGE POWERED SPEAKER



### Main features:

- 1200W amplifier power
- 15" woofer with 3" voice coil
- 1,5" HF driver with 3" voice coil
- 132,5 dB Max SPL
- Pole mount adapter

Frequency Response (-10dB)	55 - 18000 Hz
Max SPL (peak)	132,5 dB (calculated)
LF Transducer	15"
HF Transducer	1,5"
Nominal coverage HxV	90° x 80°
Power	1200 W
Amplifier	Class D, Fan cooling
Input sensitivity	0 dBV
Connectors	2x XLR
Dimensions (WxHxD)	436x740x423 mm
Net weight	29 kg
Shipping weight	32 kg
Mounting	4x FlyTrack flying points Pole mount adapter
Enclosure materials	Plywood; wear-resistant paint
Grill	Steel grill, acoustically transparent foam

Acoustical & Electrical data

Connections, physical data and exploitation