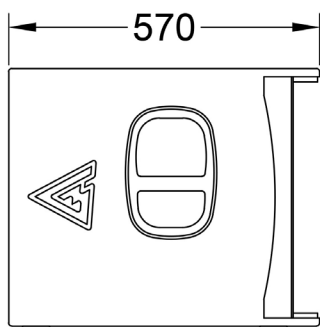
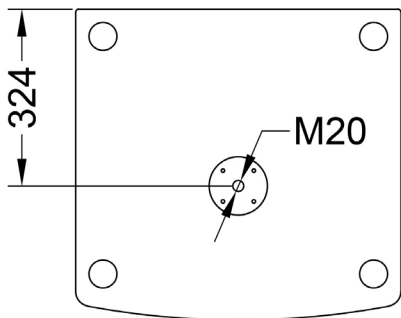
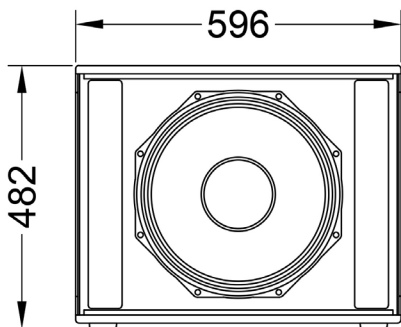




N S15

PASSIVE SUBWOOFER



Main features:

- 1200W nominal power
- 15" woofer with 4" voice coil
- 134 dB Max SPL
- Effective vented box design
- M20 distance pole adapter

Frequency Response (-10dB)	40 - 300 Hz
Max SPL (peak)	134 dB (calculated)
Sensitivity (1W/1m)	97 dB
LF Transducer	15"
Impedance	8 Ohm / 4 Ohm
Nominal power	1200 W
Program power	2400 W
Peak power	4800 W

Connectors	2x Neutrik Speakon
Dimensions (WxHxD)	596x482x570 mm
Net weight	32 kg
Shipping weight	35 kg
Mounting	M20 distance pole adapter
Enclosure materials	Plywood; wear-resistant paint
Grill	Steel grill, acoustically transparent foam;

Acoustical & Electrical data

Connections, physical data and exploitation