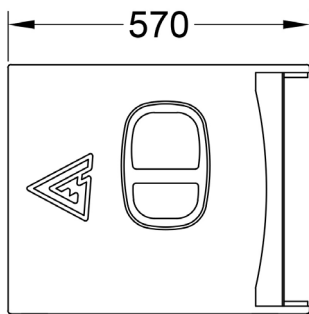
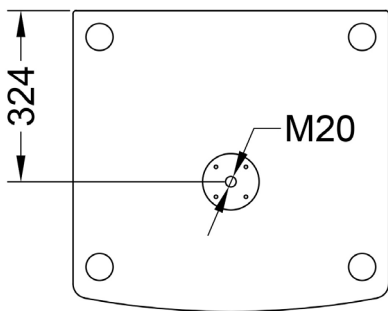
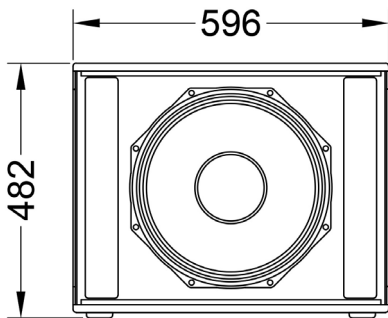




N S15A

POWERED SUBWOOFER



Main features:

- 1400W amplifier power
- 15" woofer with 4" voice coil
- 134 dB Max SPL
- Effective vented box design
- M20 distance pole adapter

Frequency Response (-10dB)	40 - 300 Hz
Max SPL (peak)	134 dB (calculated)
LF Transducer	15"
Power	1400 W
Amplifier	Class D, Fan cooling
Input sensitivity	0 dBV

Connectors	2x XLR
Dimensions (WxHxD)	596x482x570 mm
Net weight	35 kg
Shipping weight	38 kg
Mounting	M20 distance pole adapter
Enclosure materials	Plywood; wear-resistant paint
Grill	Steel grill, acoustically transparent foam

Acoustical & Electrical data

Connections, physical data and exploitation