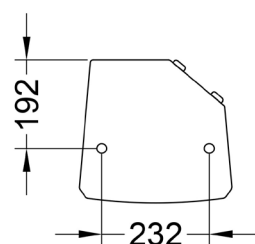
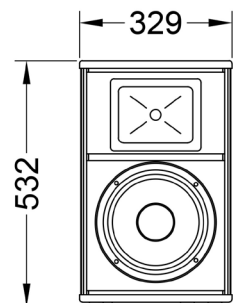
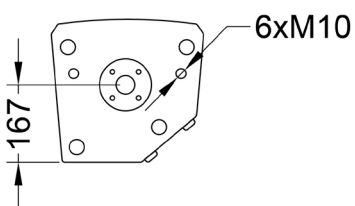
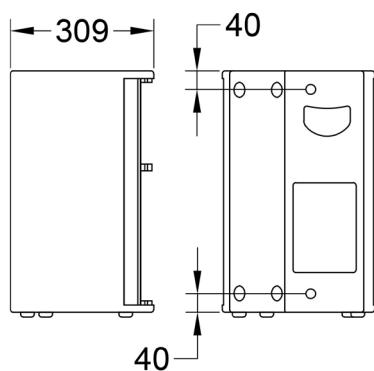




Z 100

FULL-RANGE PASSIVE SPEAKER



Main features:

- 250W nominal power
- 10" woofer with 2" voice coil
- 1" HF driver with 1,5" voice coil
- 125 dB Max SPL
- Stage monitoring ready enclosure

Frequency Response (-10dB)	65 - 18000 Hz
Max SPL (peak)	125 dB (calculated)
Sensitivity (1W/1m)	95 dB
LF Transducer	10
HF Transducer	1"
Nominal coverage HxV	60° x 40°
Impedance	8 Ohm / 4 Ohm
Nominal power	250 W
Program power	500 W
Peak power	1000 W

Connectors	2x Neutrik Speakon
Dimensions (WxHxD)	329x532x309 mm
Net weight	16,5 kg
Shipping weight	19,5 kg
Mounting	10x M10 flying points Pole mount adapter
Enclosure materials	Plywood; MDF; wear-resistant paint
Grill	Steel grill, polymer protective net

Acoustical & Electrical data

Connections, physical data
and exploitation