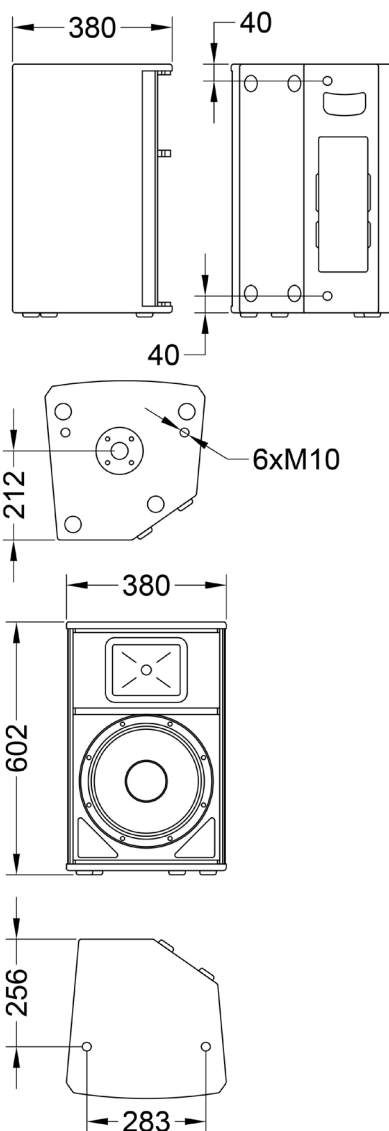
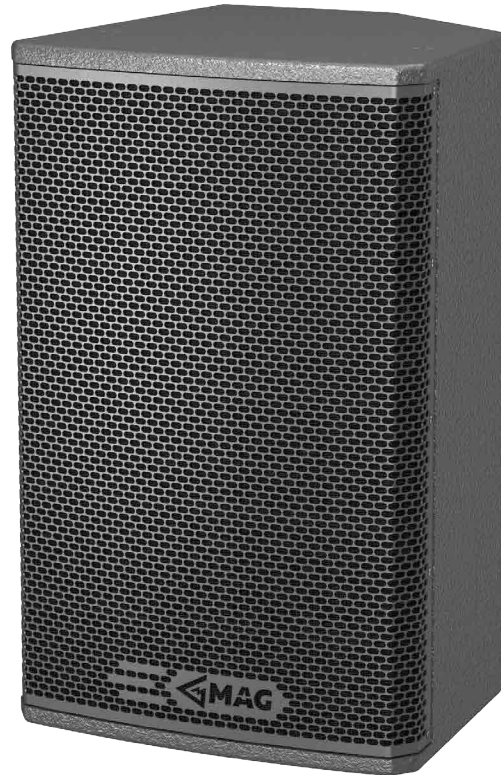




Z 120A

FULL-RANGE POWERED SPEAKER



Main features:

- 350W amplifier power
- 12" woofer with 2" voice coil
- 1" HF driver with 1,5" voice coil
- 126 dB Max SPL
- Stage monitoring ready enclosure

| | |
|----------------------------|---|
| Frequency Response (-10dB) | 60 - 18000 Hz |
| Max SPL (peak) | 126 dB (calculated) |
| LF Transducer | 12" |
| HF Transducer | 1" |
| Nominal coverage HxV | 60° x 40° |
| Power | 350 W |
| Amplifier | Class D, convection cooling |
| Input sensitivity | 0 dBV |
| Connectors | 2x XLR |
| Dimensions (WxHxD) | 380x602x380 mm |
| Net weight | 23,5 kg |
| Shipping weight | 26,5 kg |
| Mounting | 10x M10 flying points Pole mount adapter |
| Enclosure materials | Plywood; MDF; wear-resistant paint |
| Grill | Steel grill, polymer protective net |

Acoustical & Electrical data

Connections, physical data
and exploitation