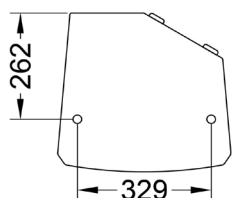
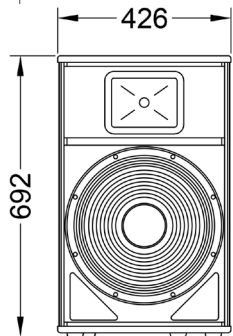
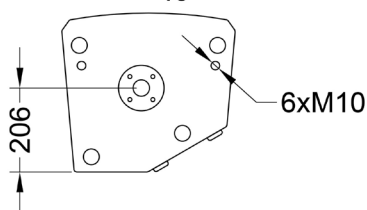
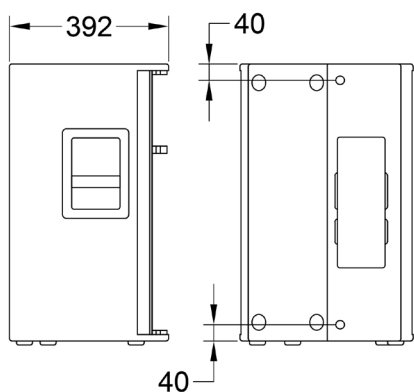




Z 150A

FULL-RANGE POWERED SPEAKER



Main features:

- 350W amplifier power
- 15" woofer with 2" voice coil
- 1" HF driver with 1,5" voice coil
- 128 dB Max SPL
- Stage monitoring ready enclosure

Frequency Response (-10dB)	50 – 18000 Hz
Max SPL (peak)	128 dB (calculated)
LF Transducer	15"
HF Transducer	1"
Nominal coverage HxV	60° x 40°
Power	350 W
Amplifier	Class D, convection cooling
Input sensitivity	0 dBV
Connectors	2x XLR
Dimensions (WxHxD)	426x692x392 mm
Net weight	28 kg
Shipping weight	31 kg
Mounting	10x M10 flying points Pole mount adapter
Enclosure materials	Plywood; MDF; wear-resistant paint
Grill	Steel grill, polymer protective net

Acoustical & Electrical data

Connections, physical data
and exploitation