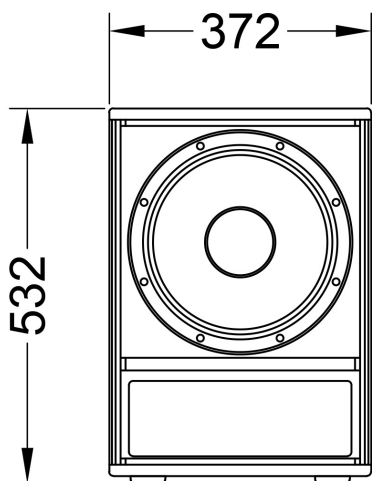
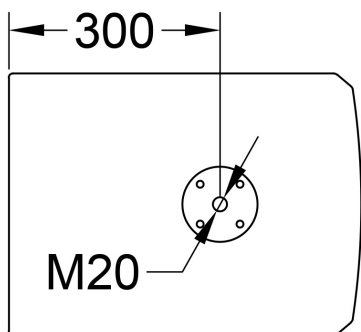
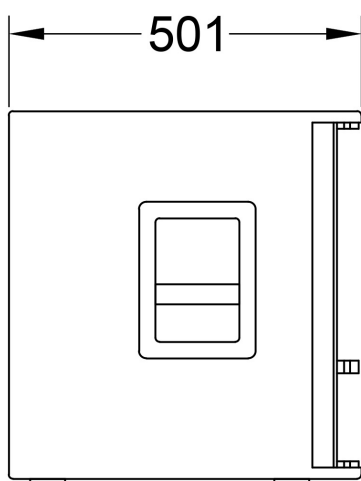
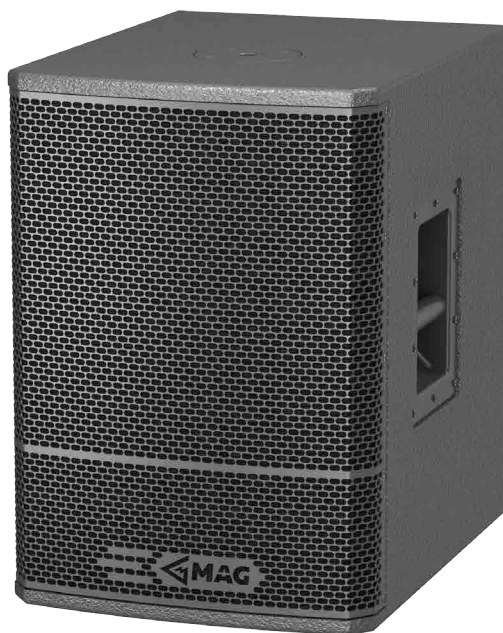




Z S12

PASSIVE SUBWOOFER



Main features:

- 400W nominal power
- 12" woofer with 3" voice coil
- 129 dB Max SPL
- Effective vented box design
- M20 distance pole adapter

Frequency Response (-10dB)	50 - 300 Hz
Max SPL (peak)	129 dB (calculated)
Sensitivity (1W/1m)	97 dB
LF Transducer	12"
Impedance	8 Ohm / 4 Ohm
Nominal power	400 W
Program power	800 W
Peak power	1600 W

Connectors	2x Neutrik Speakon
Dimensions (WxHxD)	372x532x501 mm
Net weight	29 kg
Shipping weight	32 kg
Enclosure materials	Plywood; MDF; wear-resistant paint
Grill	Steel grill, polymer protective net

Acoustical & Electrical data

Connections, physical data and exploitation