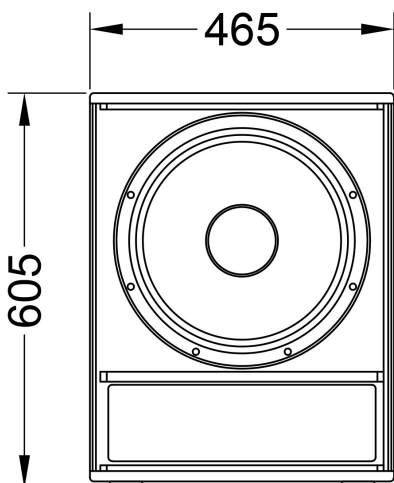
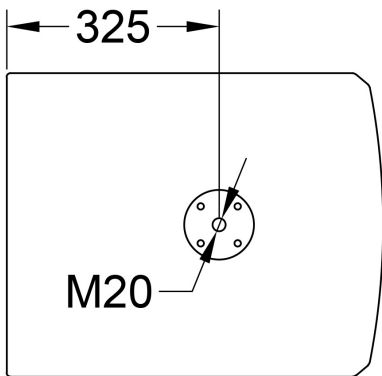
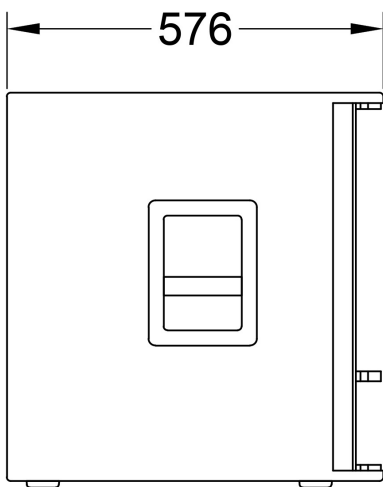




# Z S15

## PASSIVE SUBWOOFER



### Main features:

- 400W nominal power
- 15" woofer with 3" voice coil
- 129,5 dB Max SPL
- Effective vented box design
- M20 distance pole adapter

Frequency Response (-10dB)	45 - 300 Hz
Max SPL (peak)	129,5 dB (calculated)
Sensitivity (1W/1m)	97,5 dB
LF Transducer	15"
Impedance	8 Ohm / 4 Ohm
Nominal power	400 W
Program power	800 W
Peak power	1600 W

Connectors	2x Neutrik Speakon
Dimensions (WxHxD)	465x605x576 mm
Net weight	37 kg
Shipping weight	40 kg
Enclosure materials	Plywood; MDF; wear-resistant paint
Grill	Steel grill, polymer protective net

Acoustical & Electrical data

Connections, physical data and exploitation