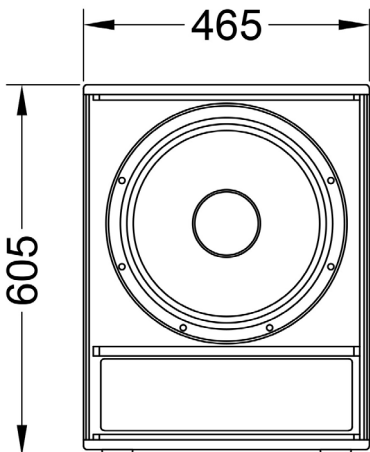
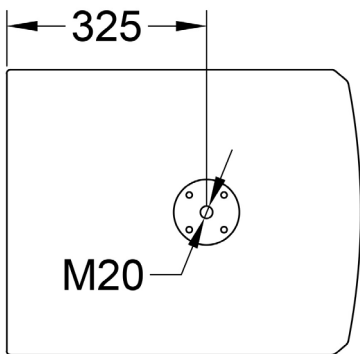
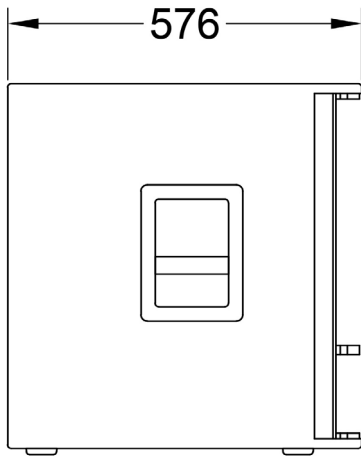




Z S15A

POWERED SUBWOOFER



Main features:

- 500W amplifier power
- 15" woofer with 3" voice coil
- 129,5 dB Max SPL
- Effective vented box design
- M20 distance pole adapter

Frequency Response (-10dB)	45 – 300 Hz
Max SPL (peak)	129,5 dB (calculated)
LF Transducer	15"
Power	500 W
Amplifier	Class D, convection cooling
Input sensitivity	0 dBV

Connectors	2x XLR
Dimensions (WxHxD)	465x605x576 mm
Net weight	39,5 kg
Shipping weight	42,5 kg
Enclosure materials	Plywood; MDF; wear-resistant paint
Grill	Steel grill, polymer protective net

Acoustical & Electrical data

Connections, physical data and exploitation