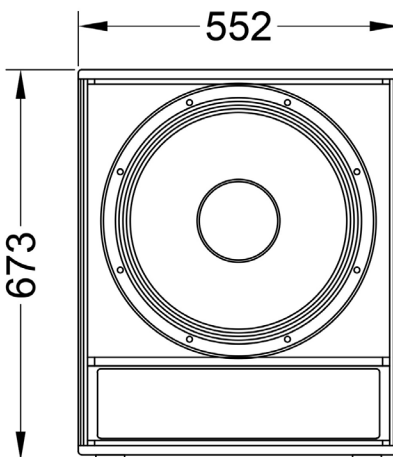
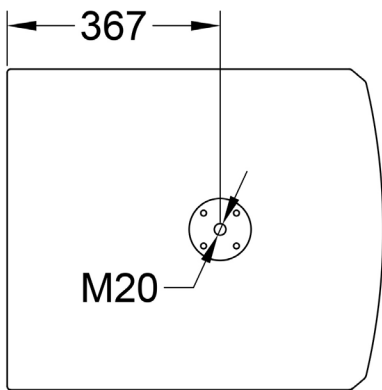
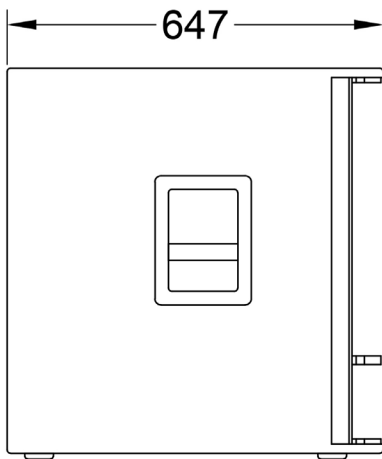




Z S18

PASSIVE SUBWOOFER



Main features:

- 450W nominal power
- 18" woofer with 3" voice coil
- 129,5 dB Max SPL
- Effective vented box design
- M20 distance pole adapter

Frequency Response (-10dB)	40 - 300 Hz
Max SPL (peak)	129,5 dB (calculated)
Sensitivity (1W/1m)	97 dB
LF Transducer	18"
Impedance	8 Ohm / 4 Ohm
Nominal power	450 W
Program power	900 W
Peak power	1800 W

Connectors	2x Neutrik Speakon
Dimensions (WxHxD)	552x673x647 mm
Net weight	42 kg
Shipping weight	45 kg
Enclosure materials	Plywood; MDF; wear-resistant paint
Grill	Steel grill, polymer protective net

Acoustical & Electrical data

Connections, physical data and exploitation